

**AIRMAN**

---

**SG**

---

**PARTS CATALOG**

**ENGINE GENERATOR**

**SDG150S-8E1**

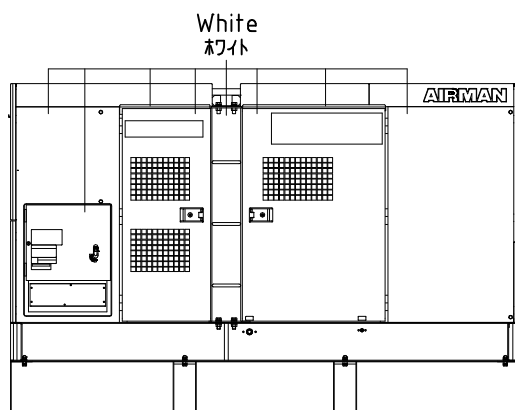
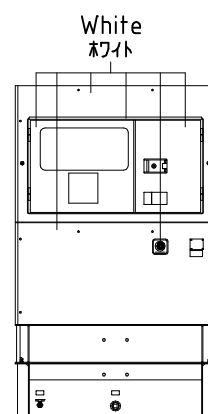
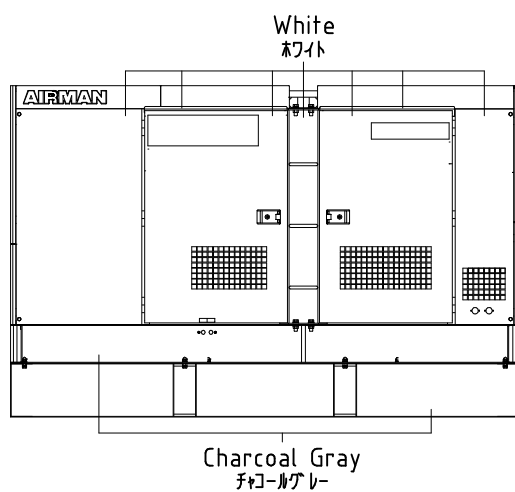
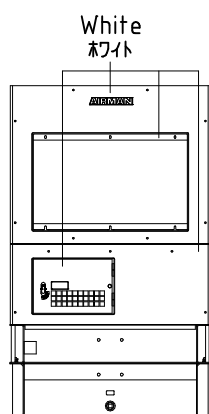
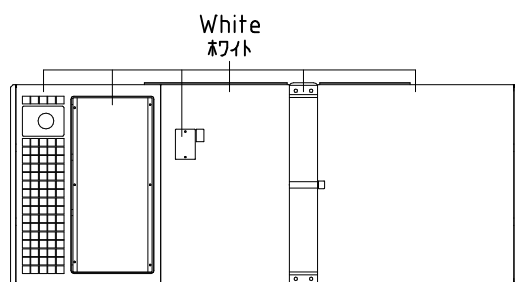
適 用 型 式  
FOR MODEL

| 型 式<br>MODEL | 適 用 号 機<br>SER. NO. |
|--------------|---------------------|
| SDG150S-8E1  | 1728E10052~         |

| 原 動 機 型 式<br>ENGINE MODEL                | JOHN DEERE 6068HFG05 |
|--|----------------------|
| Oil filter                               | JOHN DEERE RE539279  |
| Fan belt                                 | JOHN DEERE R529382   |
| Filter element(breather)<br>[OCV filter] | JOHN DEERE DZ105796  |
| Primary fuel filter                      | JOHN DEERE RE551507  |
| Final fuel filter                        | JOHN DEERE RE560681  |
| DEF Dosing unit filter                   | JOHN DEERE RE554498  |
| DEF Filter kit                           | JOHN DEERE RE110513  |

# STANDARD PAINTING

## 標準塗装色



# NOTICE

1. This parts catalog contains all the parts and assemblies of "AIRMAN" brand products. The complete unit is divided into several parts groups, the details of which are clearly illustrated, and completely listed. So desired part number, name and quantity can be easily determined referring to Ref.No.
2. When you place order for service parts, please be sure to advise us of the following information.
  - (1) Part number.
  - (2) Quantity required.
  - (3) Part name.
  - (4) Model name and Serial number.
3. How to read parts catalog.

| (8) 備考<br>Remarks                                |                  |                                     |   |            |                               |           |               |
|--|------------------|-------------------------------------|---|------------|-------------------------------|-----------|---------------|
| S : STD.<br>SC : w. AFTER COOLER<br>SD : DRY AIR |                  |                                     |   |            |                               |           |               |
| 52 - 00 LINING                                   |                  |                                     |   |            |                               |           |               |
| (1)  | (2)              | (3)                                 | (4)   | (5)        | (6)                           | (7)       | (8)           |
| 見出番号<br>Ref. NO.                                 | 部品番号<br>Part NO. | 互換性<br>Inter-<br>change-<br>ability | 部品名称<br>Part Name                             | 数量<br>Q'ty | 適用号機範囲<br>Applicable Ser. No. | 変更<br>C/H | 備考<br>Remarks |
|  | 52900 04921      |                                     | URETHANE FOAM KIT                             |            |                               |           | S SC SD       |
|  | 52900 05121      |                                     | URETHANE FOAM KIT<br>(Const. No. 1~21)        |            |                               |           | ◎             |
|  | 52900 06121      |                                     | URETHANE FOAM KIT<br>(Const. No. 1~9 & 11~24) |            |                               |           | ◎             |
| 1  | 52959 71350      |                                     | Lining  | 1          |                               |           |               |
| 2  | 52959 97640      |                                     | Lining  | 1          |                               |           |               |
| 3  | 52959 80220      |                                     | Lining  | 1          |                               |           |               |
| 4  | 52959 71450      |                                     | Lining  | 1          |                               |           |               |
| 5  | 52959 71550      |                                     | Lining  | 1          |                               |           |               |
| 6  | 52959 30940      |                                     | Lining  | 1          |                               |           |               |
| 7  | 52959 71650      |                                     | Lining  | 2          |                               |           |               |

(1) Ref. No.

Reference number (Ref.No.) is to be used for locating the part number and name from the illustrations. (However some parts such as bolts and nuts etc., are not illustrated but their reference numbers only listed.)

Ref.No.1, 1-1, 1-2,..... shows history of part modifications.

[These reference numbers mean 1: primary period, 1-1: first alteration, 1-2: second alteration and 1-3.....follows]

(2) Part No.

Every part has its own proper number. Even if a part has the same shape as an other part and if its number different, it is not interchangeable at all in many cases.

(3) Interchangeability

A, B, C, D, E, Q, X, Y and Z in column "Interchangeability" show the following.

A: A new part can replace an old part, but an old part cannot replace a new part.

B: Not interchangeable.

C: Disused.

D: Newly added.

E: Compatible with eachother.

Q: Quantity per unit changed.

X: Included in this set of parts, this part is not used for this model.

Y: Part to be selected.

Z: This part can not be supplied as an individual part.

- (4) Part name  
Every part has its own proper name.
- (5) Q' ty  
The number shown in the column of Q' TY indicates the quantity of parts used per one unit machine.
- (6) Applicable Ser.No. (Serial Number)  
Ser.No. shows the machine number to which the part is applicable.  
Month and year stated in column "Ser.No." show the month and year from which the part is applicable.
- (7) Change column  
M1, M2, ..... Mn mentioned in the column indicate the change of part number and the serial number of the unit, the part of which was modified.
- (8) Remarks  
This column "Remarks" mentions in mark or signal the specifications of each part, original part number of manufacturer, model name of the part for which is used and etc.  
[Example. SC:w. AFTER COOLER]

4. Abbreviations used in this catalog.

|        |               |        |                        |
|--------|---------------|--------|------------------------|
| ass' y | assembly      | L      | Length                 |
| A      | Ampere        | OPT.   | Option                 |
| AUTO.  | Automatic     | SPC/S. | Special specifications |
| C/H    | Change column | STD.   | Standards              |
| Const. | Consisting of | sw.    | switch                 |
| Cont.  | Control       | T or t | Thickness              |
| Eng.   | Engine        | V      | Volt                   |
| EXP.   | Export        | W      | Watt                   |
| GEN.   | Generator     | w.     | with                   |
| Incl.  | Including     | w/o    | without                |

NOTE:※We are always engaged in improving our products. So there may be some changes of the product which are not yet mentioned in this parts catalog. Therefore, in necessary case, we issue a revision in which such changes are added. When you have any question on the parts catalog, please ask your nearest dealer or directly us.  
※For engine parts, please refer to separate engine parts catalog.

## 目 次 CONTENTS

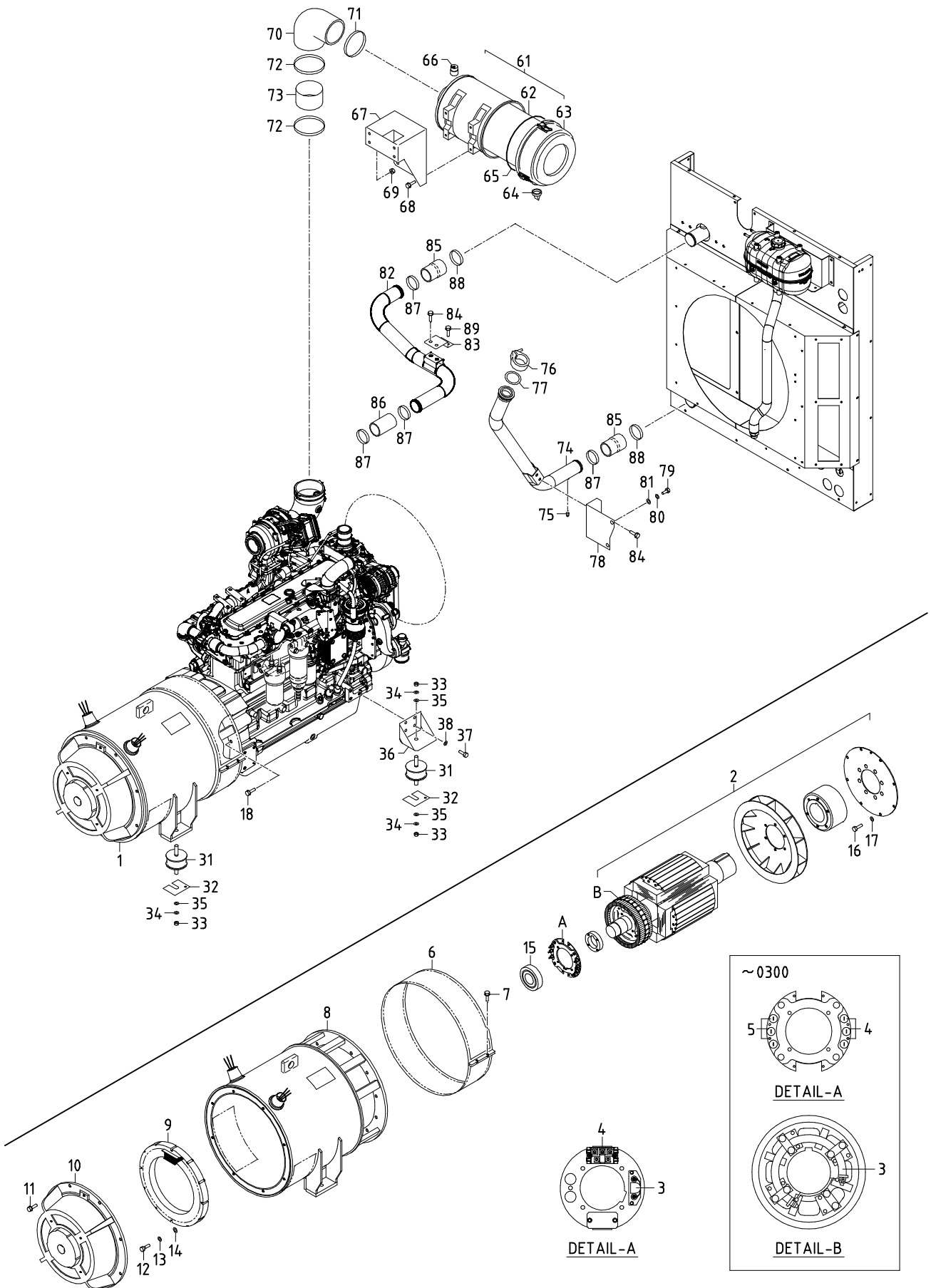
| 図 番 号<br>FIG. NO. | 図 名 称<br>FIG. NAME           | 頁<br>PAGE |
|-------------------|------------------------------|-----------|
| 25 - 00           | GENERATOR, MOUNTING & INTAKE | 25 - 1    |
| 38 - 00           | COOLING                      | 38 - 1    |
| 39 - 00           | NAME PLATE                   | 39 - 1    |
| 41 - 00           | ENGINE & EXHAUST             | 41 - 1    |
| 43 - 00           | FUEL LINE                    | 43 - 1    |
| 44 - 00           | ELECTRIC(for ENGINE)         | 44 - 1    |
| 46 - 00           | ELECTRIC(for GENERATOR)      | 46 - 1    |
| 46 - 01           | TERMINAL PLATE               | 46 - 4    |
| 51 - 00           | FRAME & BONNET               | 51 - 1    |
| 51 - 01           | OIL FENCE                    | 51 - 5    |
| 52 - 00           | LINING                       | 52 - 1    |

## 型 式 名 の 見 方 HOW TO READ MODELS

S D G 150 S - 8 E 1  
 ①            ②            ③            ④ ⑤ ⑥

- ① SDG : SEMI PORTABLE DIESEL GENERATOR
- ② 150 : OUTPUT(kVA)
- ③ S : SILENT TYPE
- ④ 8 : NORTH AMERICA TYPE
- ⑤ MODEL CHANGE MARK
- ⑥ VARIATION MARK

- ① SDG : セミポータブルディーゼル発電機
- ② 150 : 定格出力(kVA)
- ③ S : 防音型
- ④ 8 : 北米仕様
- ⑤ モデルチェンジ記号
- ⑥ バリエーション記号



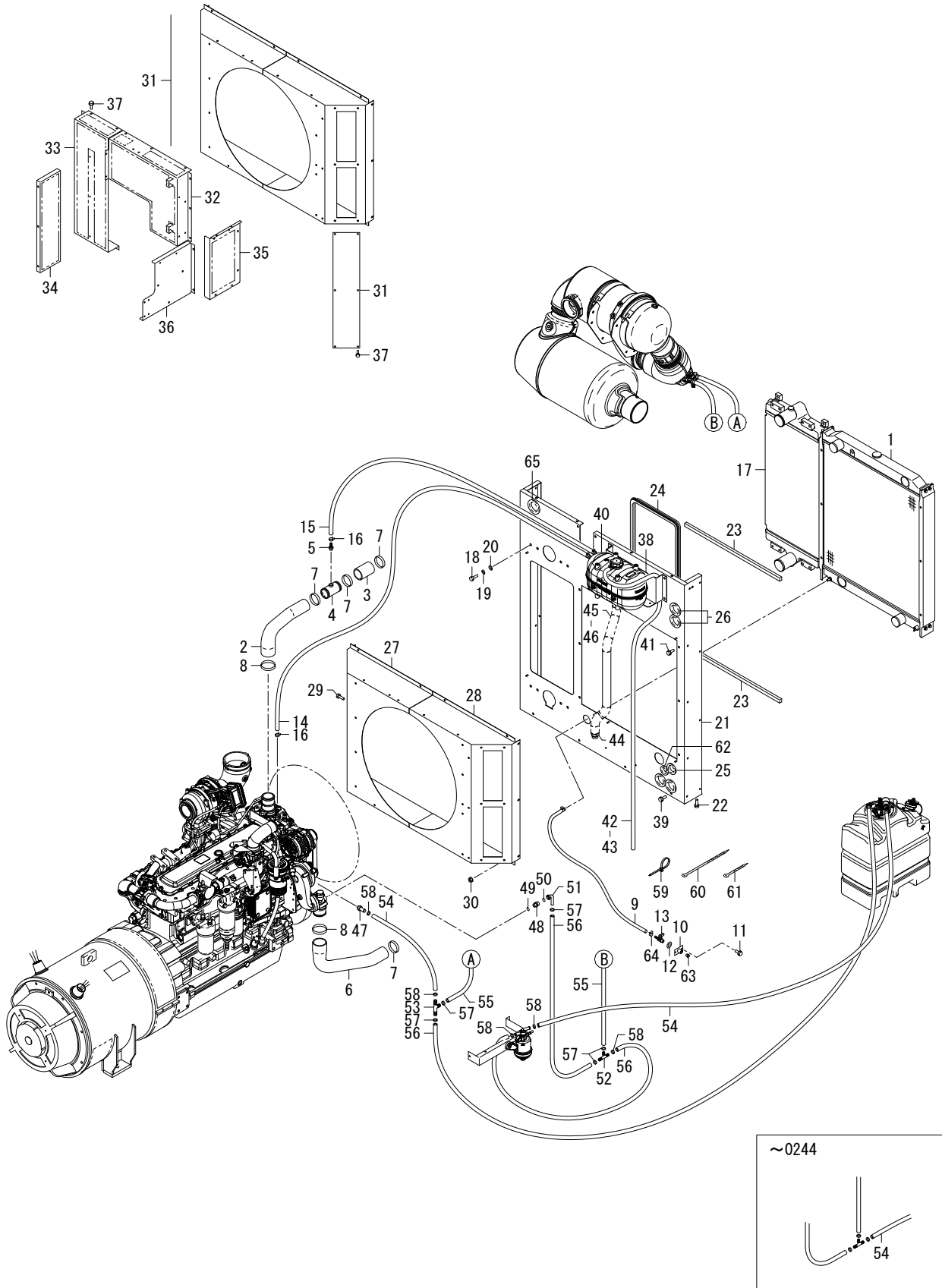
## 25 - 00 GENERATOR, MOUNTING &amp; INTAKE

| 見出番号<br>Ref. NO. | 部品番号<br>Part NO. | 互換性<br>Inter-<br>change<br>ability | 部 品 名 称<br>Part Name        | 数量<br>Q'ty | 適用号機範囲<br>Applicable Ser. No. |      | 変更<br>C/H | 備 考<br>Remarks   |
|------------------|------------------|------------------------------------|-----------------------------|------------|-------------------------------|------|-----------|------------------|
|                  |                  |                                    |                             |            | 8E1                           | -    |           |                  |
|                  | 25 - 00          |                                    | GENERATOR GROUP             |            |                               |      |           | ゼネレータグループ        |
| 1                | 20003 64509      |                                    | Generator                   | 1          | ~0339                         |      |           | Const. No. 2~15  |
| 1 -1             | 20004 50901      | A                                  | Generator                   | 1          | 0340~                         | M755 |           | Const. No. 2~15  |
| 2                | 25100 08002      |                                    | A. C. G. rotor ass'y        | 1          |                               |      |           | (回転子)            |
| 3                | 25650 01601      |                                    | Surge absorber              | 1          | ~0300                         |      |           |                  |
| 3 -1             | 25650 02600      | B                                  | Surge absorber              | 1          | 0301~                         | M708 |           |                  |
| 4                | 46921 09800      |                                    | Silicon rectifier           | 3          | ~0300                         |      |           | (SKN71)          |
| 4 -1             | 46921 10500      | B                                  | Silicon rectifier           | 1          | 0301~                         | M708 |           |                  |
| 5                | 46921 09700      | C                                  | Silicon rectifier           | 3          | 0301~                         | M708 |           | (SKR71)          |
| 6                | 25360 06102      |                                    | Cover                       | 1          |                               |      |           |                  |
| 7                | 02248 06025      |                                    | Bolt, w/w                   | 2          |                               |      |           |                  |
| 8                | 25200 10602      |                                    | A. C. G. stator ass'y       | 1          |                               |      |           | (固定子)            |
| 9                | 25700 06603      |                                    | Ex. stator ass'y            | 1          |                               |      |           | (固定子)            |
| 10               | 25310 10301      |                                    | Casing                      | 1          |                               |      |           |                  |
| 11               | 02238 10030      |                                    | Bolt, w/w                   | 8          |                               |      |           |                  |
| 12               | 02138 08050      |                                    | Bolt                        | 4          |                               |      |           |                  |
| 13               | 03115 02008      |                                    | Spring washer               | 4          |                               |      |           |                  |
| 14               | 03116 12008      |                                    | Plain washer                | 4          |                               |      |           |                  |
| 15               | 21472 09700      |                                    | Bearing                     | 1          |                               |      |           | (6314ZZ)         |
| 16               | 52640 06700      |                                    | Bolt                        | 8          |                               |      |           |                  |
| 17               | 03115 40010      |                                    | Spring washer               | 8          |                               |      |           |                  |
| 18               | 02238 10035      |                                    | Bolt, w/w                   | 12         |                               |      |           |                  |
|                  | 31 - 00          |                                    | MOUNTING GROUP              |            |                               |      |           | マウンティンググループ      |
| 31               | 31130 09200      |                                    | Vibration<br>isolator ass'y | 4          |                               |      |           |                  |
| 32               | 31120 01100      |                                    | Shim                        | 1          |                               |      |           |                  |
| 33               | 02912 08016      |                                    | Nut                         | 6          |                               |      |           |                  |
| 34               | 03115 02016      |                                    | Spring washer               | 6          |                               |      |           |                  |
| 35               | 03116 12016      |                                    | Plain washer                | 6          |                               |      |           |                  |
| 36               | 31110 17910      |                                    | Bracket                     | 2          |                               |      |           |                  |
| 37               | 02135 12030      |                                    | Bolt                        | 6          |                               |      |           |                  |
| 38               | 03115 02012      |                                    | Spring washer               | 6          |                               |      |           |                  |
|                  | 32 - 00          |                                    | INTAKE GROUP                |            |                               |      |           | インテークグループ        |
| 61               | 32100 42000      |                                    | Air filter ass'y            | 1          |                               |      |           | Const. No. 62~65 |
| 62               | 32143 12500      |                                    | Element                     | 1          |                               |      |           |                  |
| 63               | 32142 10700      |                                    | Cup                         | 1          |                               |      |           |                  |
|                  | 39148 05300      |                                    | Plate (TOP)                 | 1          |                               |      |           |                  |
| 64               | 32151 01600      |                                    | Vacuator valve              | 1          |                               |      |           |                  |
| 65               | 32147 03100      |                                    | O-ring                      | 1          |                               |      |           |                  |
| 66               | 32148 03000      |                                    | Filter, service indicator   | 1          |                               |      |           |                  |
| 67               | 32240 49100      |                                    | Bracket                     | 1          |                               |      |           |                  |
| 68               | 02201 10020      |                                    | Flange bolt                 | 4          |                               |      |           |                  |
| 69               | 02915 00010      |                                    | Hexagon flange nuts         | 4          |                               |      |           |                  |
| 70               | 32331 92000      |                                    | Hose                        | 1          |                               |      |           |                  |
| 71               | 03511 20140      |                                    | Hose clip                   | 1          |                               |      |           |                  |
| 72               | 03511 20150      |                                    | Hose clip                   | 2          |                               |      |           |                  |



## 25 - 00 GENERATOR, MOUNTING &amp; INTAKE

| 見出番号<br>Ref. NO. | 部品番号<br>Part NO. | 互換性<br>Inter-<br>change<br>ability | 部 品 名 称<br>Part Name |            | 数量<br>Q' ty | 適用号機範囲<br>Applicable Ser. No. |   | 変更<br>C/H | 備 考<br>Remarks        |
|------------------|------------------|------------------------------------|----------------------|------------|-------------|-------------------------------|---|-----------|-----------------------|
|                  |                  |                                    |                      |            |             | 8E1                           | - |           |                       |
| 73               | 32320 64501      |                                    | Pipe, intake         | インテークパイプ   | 1           |                               |   |           |                       |
| 74               | 32320 73400      |                                    | Pipe, intake         | インテークパイプ   | 1           |                               |   |           |                       |
| 75               | 03620 60001      |                                    | Plug                 | プラグ        | 1           |                               |   |           |                       |
| 76               | * * *            |                                    | Clamp                | クランプ       | 1           |                               |   |           | (JOHN DEERE RE292067) |
| 77               | * * *            |                                    | Gasket               | ガスケット      | 1           |                               |   |           | (JOHN DEERE R529509)  |
| 78               | 32270 08700      |                                    | Bracket              | ブラケット      | 1           |                               |   |           |                       |
| 79               | 02138 16030      |                                    | Bolt                 | ボルト        | 2           |                               |   |           |                       |
| 80               | 03115 02016      |                                    | Spring washer        | スプリングワッシャー | 2           |                               |   |           |                       |
| 81               | 03116 12016      |                                    | Plain washer         | プレーンワッシャー  | 4           |                               |   |           |                       |
| 82               | 32320 73500      |                                    | Pipe                 | パイプ        | 1           |                               |   |           |                       |
| 83               | 32270 08800      |                                    | Bracket              | ブラケット      | 1           |                               |   |           |                       |
| 84               | 02248 12030      |                                    | Bolt, w/w            | ワッシャー付ボルト  | 4           |                               |   |           |                       |
| 85               | 32332 08102      |                                    | Hose                 | ホース        | 2           |                               |   |           |                       |
| 86               | 32331 91900      |                                    | Hose                 | ホース        | 1           |                               |   |           |                       |
| 87               | 03511 50075      |                                    | Hose clip            | ホースクリップ    | 4           |                               |   |           |                       |
| 88               | 03511 50085      |                                    | Hose clip            | ホースクリップ    | 2           |                               |   |           |                       |
| 89               | 02201 08020      |                                    | Flange bolt          | フランジ付ボルト   | 2           |                               |   |           |                       |

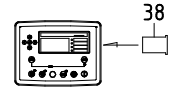
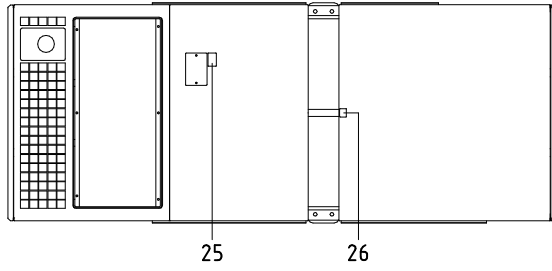


## 38 - 00 COOLING

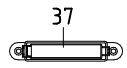
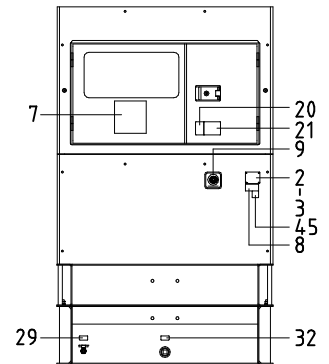
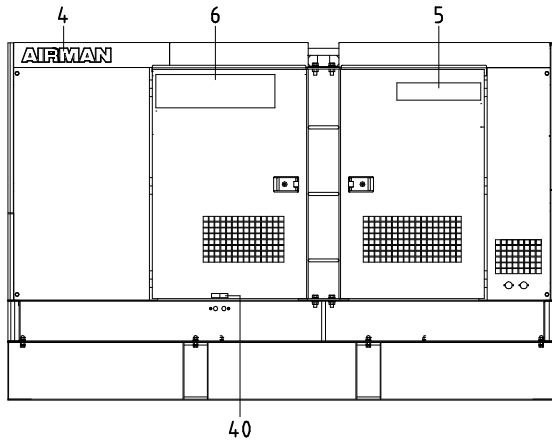
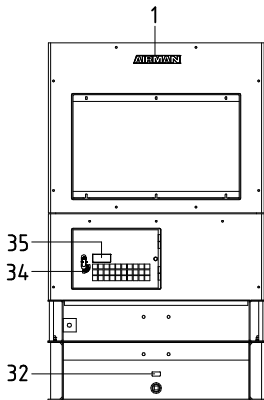
| 見出番号<br>Ref. NO. | 部品番号<br>Part NO. | 互換性<br>Inter-<br>change<br>ability | 部 品 名 称<br>Part Name | 数量<br>Q'ty | 適用号機範囲<br>Applicable Ser. No. |   | 変更<br>C/H | 備 考<br>Remarks        |
|------------------|------------------|------------------------------------|----------------------|------------|-------------------------------|---|-----------|-----------------------|
|                  |                  |                                    |                      |            | 8E1                           | - |           |                       |
|                  | 38 - 00          |                                    | COOLING GROUP        |            |                               |   |           | クーリング グループ            |
| 1                | 38100 46301      |                                    | Radiator             | ラジエータ      | 1                             |   |           | Incl. valve           |
|                  | 38117 02300      |                                    | Valve                | バルブ        | 1                             |   |           | (drain)               |
|                  | 38469 01400      |                                    | Valve                | バルブ        | 1                             |   |           | (drain)               |
| 2                | 38524 77001      |                                    | Hose                 | ホース        | 1                             |   |           |                       |
| 3                | 38524 78100      |                                    | Hose                 | ホース        | 1                             |   |           |                       |
| 4                | 38510 43600      |                                    | Pipe                 | パイプ        | 1                             |   |           |                       |
| 5                | 37170 14000      |                                    | Joint                | ジョイント      | 1                             |   |           |                       |
| 6                | 38524 77100      |                                    | Hose                 | ホース        | 1                             |   |           |                       |
| 7                | 03511 20070      |                                    | Hose clip            | ホースクリップ    | 4                             |   |           |                       |
| 8                | 03511 20080      |                                    | Hose clip            | ホースクリップ    | 2                             |   |           |                       |
| 9                | 03570 08080      |                                    | Hose                 | ホース        | 1                             |   |           | (drain)               |
| 10               | 37170 25200      |                                    | Joint                | ジョイント      | 1                             |   |           |                       |
| 11               | 02246 06020      |                                    | Bolt, w/w            | ワッシャ付ボルト   | 2                             |   |           |                       |
| 12               | 52728 45010      |                                    | Cushion rubber       | クッション ラバー  | 1                             |   |           |                       |
| 13               | 35421 05400      |                                    | Air valve            | エアバルブ      | 1                             |   |           |                       |
| 14               | 03611 08090      |                                    | Hose                 | ホース        | 1                             |   |           |                       |
| 15               | 03611 08035      |                                    | Hose                 | ホース        | 1                             |   |           |                       |
| 16               | 03511 40018      |                                    | Hose clip            | ホースクリップ    | 4                             |   |           |                       |
| 17               | 38920 05400      |                                    | Inter cooler         | インタクーラ     | 1                             |   |           |                       |
| 18               | 02108 10025      |                                    | Bolt                 | ボルト        | 8                             |   |           |                       |
| 19               | 03115 02010      |                                    | Spring washer        | スプリング ワッシャ | 8                             |   |           |                       |
| 20               | 03116 12010      |                                    | Plain washer         | プレーン ワッシャ  | 8                             |   |           |                       |
| 21               | 52350 29332      |                                    | Cover                | カバー        | 1                             |   |           |                       |
| 22               | 02246 08025      |                                    | Bolt, w/w            | ワッシャ付ボルト   | 4                             |   |           |                       |
| 23               | 03407 67313      |                                    | Seal rubber          | シール ラバー    | 2                             |   |           |                       |
| 24               | 03407 67507      |                                    | Seal rubber          | シール ラバー    | 1                             |   |           |                       |
| 25               | 03403 00512      |                                    | Grommet              | グロメット      | 1                             |   |           |                       |
| 26               | 03403 00592      |                                    | Grommet              | グロメット      | 4                             |   |           |                       |
| 27               | 38440 18311      |                                    | Shroud, fan          | ファン シュラウド  | 1                             |   |           |                       |
| 28               | 38440 18411      |                                    | Shroud, fan          | ファン シュラウド  | 1 ~0244                       |   |           |                       |
| 28 -1            | 38440 27310      | B                                  | Shroud, fan          | ファン シュラウド  | 1 0245~                       |   | M 5       |                       |
| 29               | 02248 06012      |                                    | Bolt, w/w            | ワッシャ付ボルト   | 6                             |   |           |                       |
| 30               | 02915 00006      |                                    | Hexagon flange nuts  | フランジ付ナット   | 8 ~0267                       |   |           |                       |
| 30 -1            | 02915 00006      | Q                                  | Hexagon flange nuts  | フランジ付ナット   | 11 0268~                      |   | M 4       |                       |
| 31               | 52350 66010      |                                    | Cover                | カバー        | 2 ~0267                       |   |           |                       |
| 31 -1            | 52350 50530      | A                                  | Cover                | カバー        | 2 0268~                       |   | M 4       |                       |
| 32               | 38450 98001      |                                    | Guard, fan           | ファン ガード    | 1 ~0244                       |   |           |                       |
| 32 -1            | 38450 13710      | B                                  | Guard, fan           | ファン ガード    | 1 0245~                       |   | M 5       |                       |
| 33               | 38450 98101      |                                    | Guard, fan           | ファン ガード    | 1                             |   |           |                       |
| 34               | 38450 98201      |                                    | Guard, fan           | ファン ガード    | 1                             |   |           |                       |
| 35               | 38450 98301      |                                    | Guard, fan           | ファン ガード    | 1 ~0244                       |   |           |                       |
| 35 -1            | 38450 14010      | B                                  | Guard, fan           | ファン ガード    | 1 0245~                       |   | M 5       |                       |
| 36               | 38860 35900      |                                    | Bracket              | ブラケット      | 1 ~0244                       |   |           |                       |
| 36 -1            | 38860 38900      | B                                  | Bracket              | ブラケット      | 1 0245~                       |   | M 5       |                       |
| 37               | 02201 06016      |                                    | Flange bolt          | フランジ付ボルト   | 35                            |   |           |                       |
| 38               | 38860 36600      |                                    | Bracket              | ブラケット      | 1                             |   |           |                       |
| 39               | 02201 08020      |                                    | Flange bolt          | フランジ付ボルト   | 8                             |   |           |                       |
| 40               | * * *            |                                    | Surge tank           | サージタンク     | 1                             |   |           | (JOHN DEERE DZ102101) |
| 41               | 02201 08012      |                                    | Flange bolt          | フランジ付ボルト   | 10                            |   |           |                       |
| 42               | 38594 05400      |                                    | Hose                 | ホース        | 1                             |   |           |                       |
| 43               | 03511 40016      |                                    | Hose clip            | ホースクリップ    | 1                             |   |           |                       |

## 38 - 00 COOLING

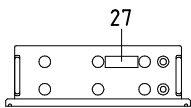
| 見出番号<br>Ref. NO. | 部品番号<br>Part NO. | 互換性<br>Inter-<br>change<br>ability | 部 品 名 称<br>Part Name |          | 数量<br>Q' ty | 適用号機範囲<br>Applicable Ser. No. |   | 変更<br>C/H | 備 考<br>Remarks          |
|------------------|------------------|------------------------------------|----------------------|----------|-------------|-------------------------------|---|-----------|-------------------------|
|                  |                  |                                    |                      |          |             | 8E1                           | - |           |                         |
| 44               | * * *            |                                    | Adapter fitting      | アダプタ     | 1           |                               |   |           | (JOHN DEERE AT326597)   |
| 45               | 38524 78000      |                                    | Hose                 | ホース      | 1           |                               |   |           |                         |
| 46               | 03511 20050      |                                    | Hose clip            | ホースクリップ  | 2           |                               |   |           |                         |
| 47               | * * *            |                                    | Hose fitting         | ホース      | 1           |                               |   |           | (JOHN DEERE AT377287)   |
| 48               | * * *            |                                    | Connector            | コネクタ     | 1           |                               |   |           | (JOHN DEERE 38H5003)    |
| 49               | * * *            |                                    | O-ring               | O-リング    | 1           |                               |   |           | (JOHN DEERE T77857)     |
| 50               | * * *            |                                    | O-ring               | O-リング    | 1           |                               |   |           | (JOHN DEERE 51M7043)    |
| 51               | * * *            |                                    | Hose end             | ホース      | 1           |                               |   |           | (JOHN DEERE X3J982-8-8) |
| 52               | * * *            |                                    | Tee fitting          | チー       | 1           |                               |   |           | (JOHN DEERE T296925)    |
| 53               | * * *            |                                    | Tee fitting          | チー       | 1           |                               |   |           | (JOHN DEERE T317541)    |
| 54               | * * *            |                                    | Coolant hose         | クーラントホース | 2           |                               |   |           | (JOHN DEERE 28411)      |
| 55               | * * *            |                                    | Coolant hose         | クーラントホース | 2           |                               |   |           | (JOHN DEERE 28409)      |
| 56               | * * *            |                                    | Coolant hose         | クーラントホース | 2           | ~0244                         |   |           | (JOHN DEERE 28410)      |
| 56 -1            | * * *            | Q                                  | Coolant hose         | クーラントホース | 3           | 0245~                         |   | M 5       | (JOHN DEERE 28410)      |
| 57               | * * *            |                                    | Hose clamp           | ホース      | 8           |                               |   |           | (JOHN DEERE TY22464)    |
| 58               | * * *            |                                    | Hose clamp           | ホース      | 4           |                               |   |           | (JOHN DEERE TY22465)    |
| 59               | 37181 07700      |                                    | Clip                 | クリップ     | 4           |                               |   |           |                         |
| 60               | 03425 00003      |                                    | Vinyl clip           | ビニールクリップ | 2           |                               |   |           |                         |
| 61               | 03425 00001      |                                    | Vinyl clip           | ビニールクリップ | 15          |                               |   |           |                         |
| 62               | 03403 00423      | D                                  | Grommet              | グロメット    | 1           | 0245~                         |   | M 5       |                         |
| 63               | 33238 02700      | D                                  | Plug                 | プラグ      | 1           | 0268~                         |   | M682      |                         |
| 64               | 03511 40021      |                                    | Hose clip            | ホースクリップ  | 2           |                               |   |           |                         |
| 65               | 03403 00703      | D                                  | Grommet              | グロメット    | 1           | 0430~                         |   | M757      |                         |



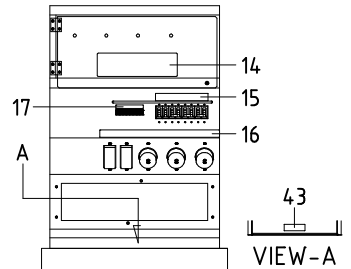
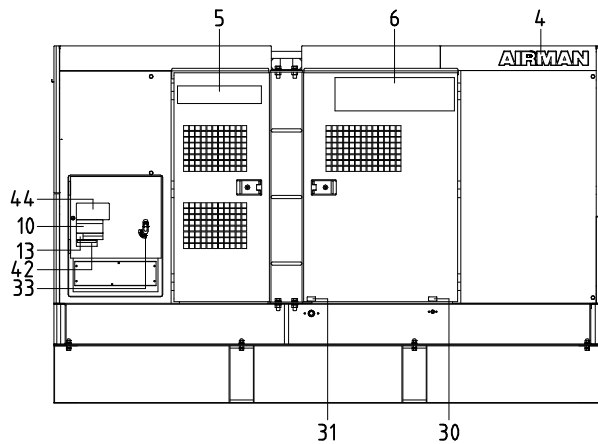
MONITOR



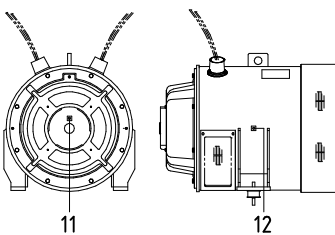
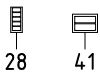
FUSE BOX



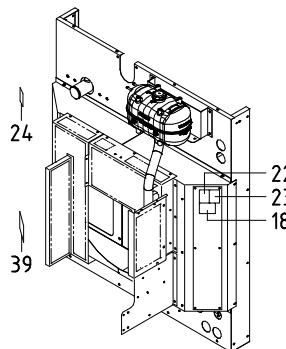
BATTERY



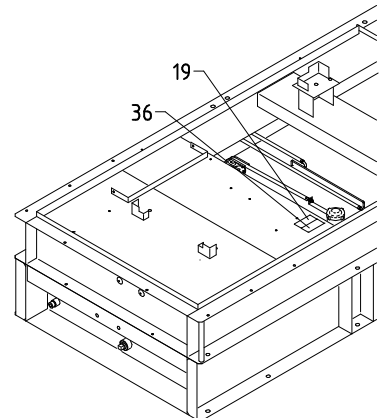
TERMINAL PLATE



GENERATOR



FAN SHROUD



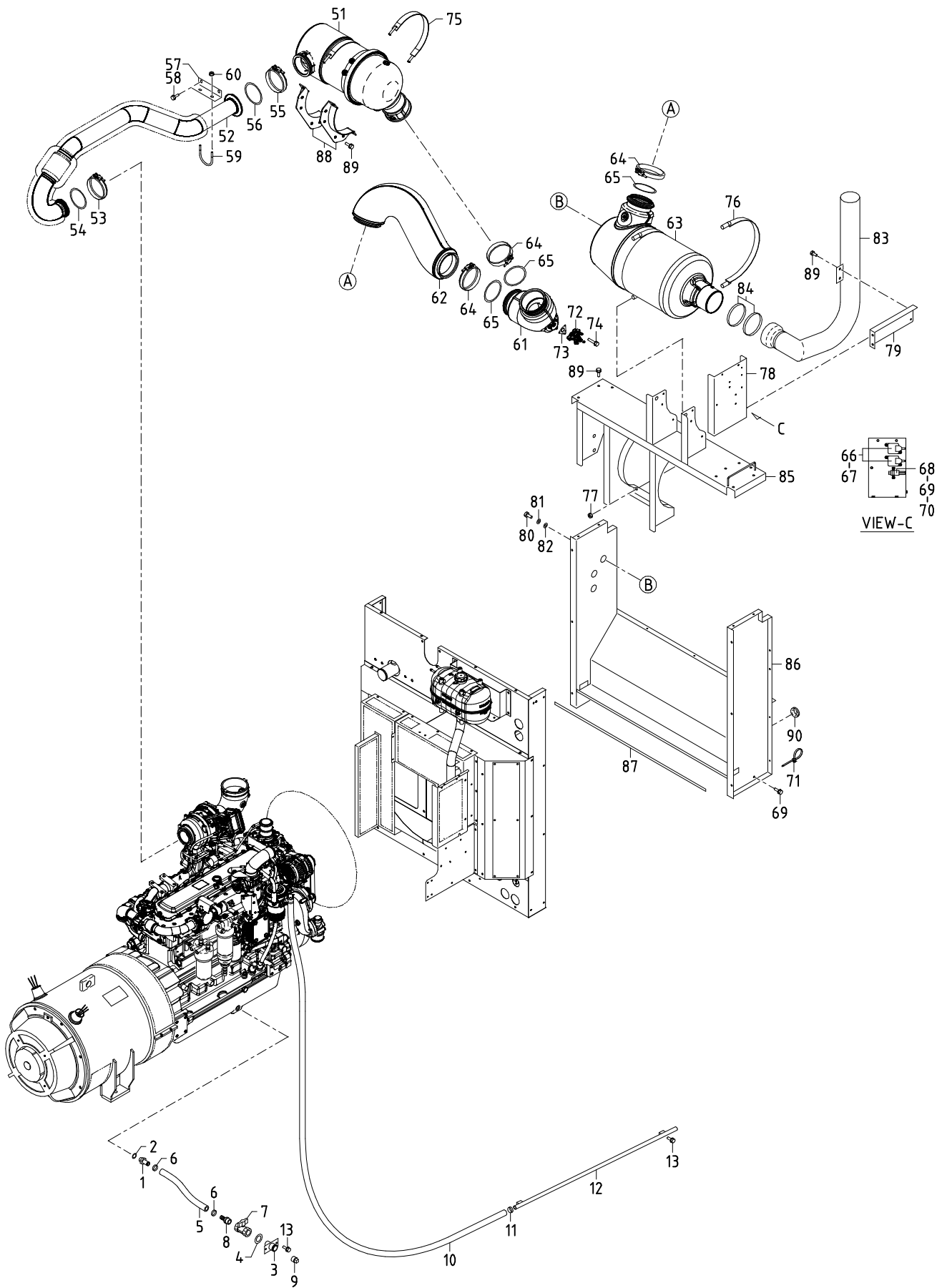
FRAME

## 39 - 00 NAME PLATE

| 見出番号<br>Ref. NO. | 部品番号<br>Part NO. | 互換性<br>Inter-<br>change<br>ability | 部 品 名 称<br>Part Name      |             | 数量<br>Q' ty | 適用号機範囲<br>Applicable Ser. No. |   | 変更<br>C/H | 備 考<br>Remarks   |
|------------------|------------------|------------------------------------|---------------------------|-------------|-------------|-------------------------------|---|-----------|------------------|
|                  |                  |                                    |                           |             |             | 8E1                           | - |           |                  |
|                  | 39 - 00          |                                    | ACCESSORY GROUP           | アクセサリ グループ  |             |                               |   |           |                  |
|                  | 39600 93031      |                                    | Instruction manual        | 取扱説明書       | ~0244       |                               |   |           |                  |
|                  | 39600 67741      | A                                  | Instruction manual        | 取扱説明書       | ~0300       |                               |   | M 5       |                  |
|                  | 39600 02550      | B                                  | Instruction manual        | 取扱説明書       | -           |                               |   | M719      |                  |
|                  | 39600 04851      | B                                  | Instruction manual        | 取扱説明書       | ~0453       |                               |   | M721      |                  |
|                  | 39600 54250      | B                                  | Instruction manual        | 取扱説明書       | 0454~       |                               |   | M770      |                  |
|                  | RG39499          |                                    | Operator's manual         | 取扱説明書(Eng.) |             |                               |   |           |                  |
| 1                | 39170 02000      |                                    | Mark (AIRMAN)             | マーク         | 1           |                               |   |           |                  |
| 2                | 39103 49800      |                                    | Plate (SER. NO.)          | プレート        | 1           |                               |   |           |                  |
| 3                | 03260 03010      |                                    | Blind rivet               | リベット        | 4           |                               |   |           |                  |
| 4                | 39178 06340      |                                    | Plate (AIRMAN)            | プレート        | 2           |                               |   |           |                  |
| 5                | 39178 70040      |                                    | Plate (SDG150)            | プレート        | 2           |                               |   |           |                  |
| 6                | 39178 70640      |                                    | Plate (mark)              | プレート        | 2           | ~0231                         |   |           |                  |
| 6 -1             | 39178 94240      | A                                  | Plate (mark)              | プレート        | 2           | 0232~                         |   | M589      |                  |
| 7                | 39178 69840      |                                    | Plate (mark)              | プレート        | 1           | ~0231                         |   |           |                  |
| 7 -1             | 39178 94340      | A                                  | Plate (mark)              | プレート        | 1           | 0232~                         |   | M589      |                  |
| 8                | 39178 67840      |                                    | Plate (california)        | プレート        | 1           |                               |   |           |                  |
| 9                | 39178 47611      |                                    | Plate (EMERGENCY STOP)    | プレート        | 1           |                               |   |           |                  |
| 10               | 39176 62400      |                                    | Plate (HIGH VOLTAGE)      | プレート        | 1           |                               |   |           |                  |
| 11               | 39164 00600      |                                    | Plate (indicator)         | プレート        | 1           |                               |   |           |                  |
| 12               | 39164 00700      |                                    | Plate (indicator)         | プレート        | 1           |                               |   |           |                  |
| 13               | 39176 62900      |                                    | Plate                     | プレート        | 1           |                               |   |           |                  |
|                  |                  |                                    | (warning, electric shock) |             |             |                               |   |           |                  |
| 14               | 39152 23401      |                                    | Plate (wiring chart)      | プレート        | 1           |                               |   |           |                  |
| 15               | 39178 87210      |                                    | Plate (breaker)           | プレート        | 1           |                               |   |           |                  |
| 16               | 39178 50620      |                                    | Plate (socket)            | プレート        | 1           |                               |   |           |                  |
| 17               | 39178 11740      |                                    | Plate                     | プレート        | 1           |                               |   |           |                  |
|                  |                  |                                    | (2 wire Terminal plate)   |             |             |                               |   |           |                  |
| 18               | 39178 00310      |                                    | Plate (LLC)               | プレート        | 1           |                               |   |           |                  |
| 19               | 39178 22031      |                                    | Plate (diesel fuel)       | プレート        | 1           |                               |   |           |                  |
| 20               | 39176 73300      |                                    | Plate                     | プレート        | 1           |                               |   |           |                  |
|                  |                  |                                    | (warning, exhaust gases)  |             |             |                               |   |           |                  |
| 21               | 39176 09310      |                                    | Plate                     | プレート        | 1           |                               |   |           |                  |
|                  |                  |                                    | (danger, exhaust gases)   |             |             |                               |   |           |                  |
| 22               | 39176 73800      |                                    | Plate (warning, pulley)   | プレート        | 1           |                               |   |           |                  |
| 23               | 39176 73500      |                                    | Plate                     | プレート        | 1           |                               |   |           |                  |
|                  |                  |                                    | (warning, cooling fan)    |             |             |                               |   |           |                  |
| 24               | 39176 69500      |                                    | Plate                     | プレート        | 1           |                               |   |           |                  |
|                  |                  |                                    | (caution, high temp.)     |             |             |                               |   |           |                  |
| 25               | 39176 69600      |                                    | Plate                     | プレート        | 1           |                               |   |           |                  |
|                  |                  |                                    | (caution, radiator cap)   |             |             |                               |   |           |                  |
| 26               | 39178 69300      |                                    | Plate (lift position)     | プレート        | 1           |                               |   |           |                  |
| 27               | 39176 50000      |                                    | Plate (danger, battery)   | プレート        | 1           |                               |   |           |                  |
| 28               | 39173 05900      |                                    | Plate, complete           | プレート(1セット)  | 1           |                               |   |           | Const. No. 29~32 |
| 29               | * * *            | Z                                  | Plate (fuel drain)        | プレート        | 1           |                               |   |           | (39173 05900)    |
| 30               | * * *            | Z                                  | Plate (radiator drain)    | プレート        | 1           |                               |   |           | (39173 05900)    |
| 31               | * * *            | Z                                  | Plate (eng. oil drain)    | プレート        | 1           |                               |   |           | (39173 05900)    |
| 32               | * * *            | Z                                  | Plate (oil fence drain)   | プレート        | 2           |                               |   |           | (39173 05900)    |
| 33               | 39178 59640      |                                    | Plate (OPEN-CLOSE)        | プレート        | 1           |                               |   |           |                  |
| 34               | 39178 59540      |                                    | Plate (OPEN-CLOSE)        | プレート        | 1           |                               |   |           |                  |

39 - 00 NAME PLATE

| 見出番号<br>Ref. NO. | 部品番号<br>Part NO. | 互換性<br>Inter-<br>change<br>ability | 部 品 名 称<br>Part Name      |            | 数量<br>Q' ty | 適用号機範囲<br>Applicable Ser. No. |   | 変更<br>C/H | 備 考<br>Remarks   |
|------------------|------------------|------------------------------------|---------------------------|------------|-------------|-------------------------------|---|-----------|------------------|
|                  |                  |                                    |                           |            |             | 8E1                           | - |           |                  |
| 35               | 39178 70840      |                                    | Plate (DEF ONLY)          | プレート       | 1           |                               |   |           |                  |
| 36               | 39178 70940      |                                    | Plate (notice, DEF)       | プレート       | 1           |                               |   |           |                  |
| 37               | 39161 04300      |                                    | Plate (fuse)              | プレート       | 1           |                               |   |           |                  |
| 38               | 39178 70740      |                                    | Plate (DSE monitor)       | プレート       | 1           |                               |   |           |                  |
| 39               | 39178 49120      |                                    | Plate                     | プレート       | 1           |                               |   |           |                  |
|                  |                  |                                    | (changed fuel refill)     |            |             |                               |   |           |                  |
| 40               | 39178 01640      |                                    | Plate                     | プレート       | 1           |                               |   |           |                  |
|                  |                  |                                    | (fuel return, fuel inlet) |            |             |                               |   |           |                  |
| 41               | 39173 02000      |                                    | Plate, complete           | プレート(1セット) | 1           |                               |   |           | Const. No. 42~43 |
| 42               | * * *            | Z                                  | Plate (caution, cable)    | プレート       | 1           |                               |   |           | (39173 02000)    |
| 43               | * * *            | Z                                  | Plate (caution, cable)    | プレート       | 1           |                               |   |           | (39173 02000)    |
| 44               | 39176 89700      |                                    | Plate (output)            | プレート       | 1           |                               |   |           |                  |
| 45               | 39178 38151      | D                                  | Plate (QR CODE)           | プレート       | 1           | 0307~                         |   | M737      |                  |



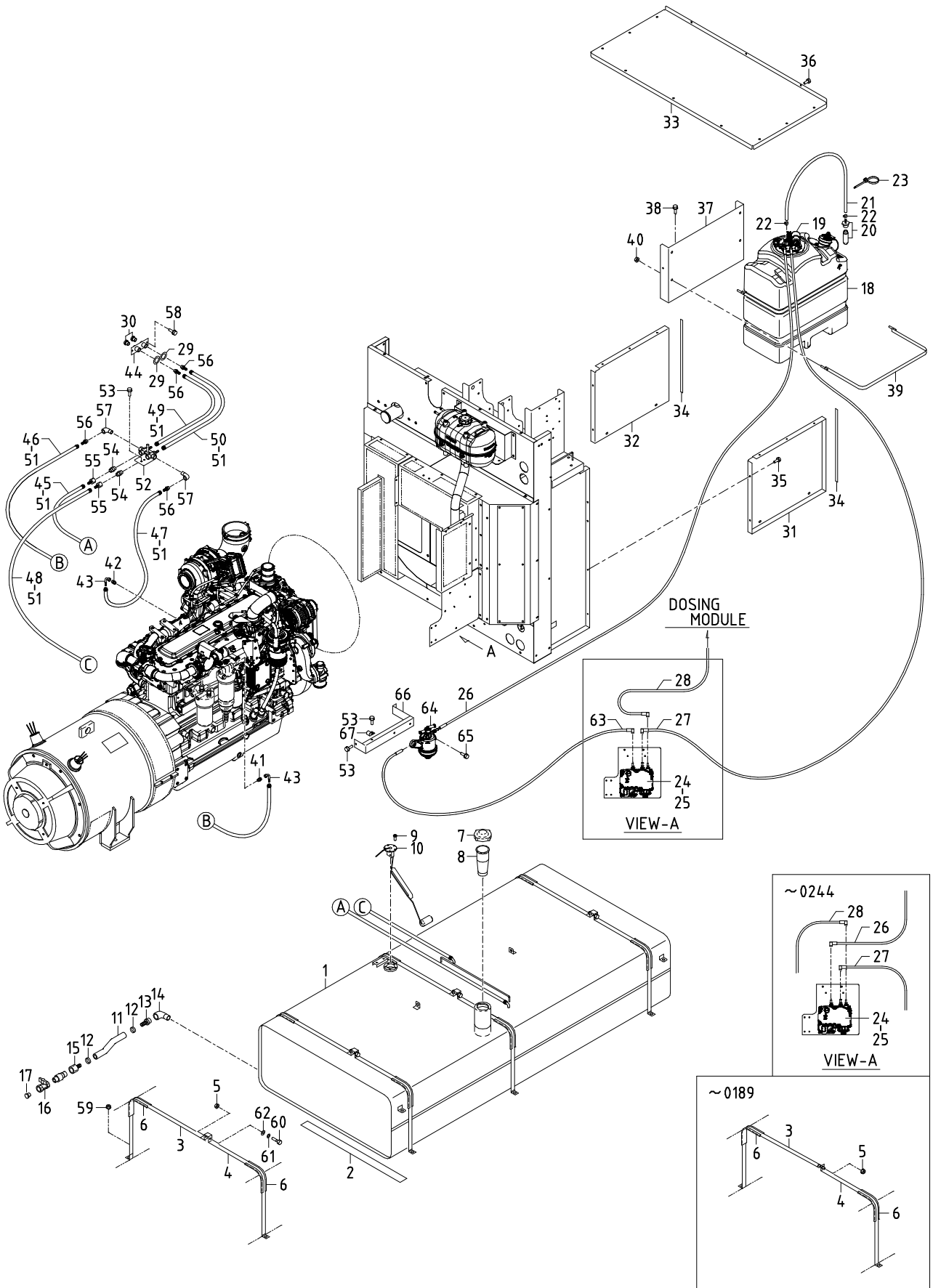


## 41 - 00 ENGINE &amp; EXHAUST

| 見出番号<br>Ref. NO. | 部品番号<br>Part NO. | 互換性<br>Inter-<br>change<br>ability | 部 品 名 称               |             | 数量<br>Q'ty | 適用号機範囲<br>Applicable Ser. No. |   | 変更<br>C/H | 備 考<br>Remarks        |
|------------------|------------------|------------------------------------|-----------------------|-------------|------------|-------------------------------|---|-----------|-----------------------|
|                  |                  |                                    | Part Name             |             |            | 8E1                           | - |           |                       |
|                  | 41 - 00          |                                    | ENGINE GROUP          | エンジン グループ   |            |                               |   |           |                       |
| 1                | 37170 21600      |                                    | Joint                 | ジョイント       | 1          |                               |   |           |                       |
| 2                | 03407 16024      |                                    | Gasket                | ガスケット       | 1          |                               |   |           |                       |
| 3                | 52160 32600      |                                    | Bracket               | ブラケット       | 1          |                               |   |           |                       |
| 4                | 52728 19910      |                                    | Cushion rubber        | クッション ラバー   | 1          |                               |   |           |                       |
| 5                | 03580 19035      |                                    | Hose                  | ホース         | 1          |                               |   |           |                       |
| 6                | 03511 20035      |                                    | Hose clip             | ホース クリップ    | 2          |                               |   |           |                       |
| 7                | 03735 13006      |                                    | Valve                 | バルブ         | 1          |                               |   |           |                       |
| 8                | 37170 21800      |                                    | Joint                 | ジョイント       | 1          |                               |   |           |                       |
| 9                | 03620 41006      |                                    | Plug                  | プラグ         | 1          |                               |   |           |                       |
| 10               | 03570 19100      |                                    | Hose                  | ホース         | 1          |                               |   |           |                       |
| 11               | 03511 20035      |                                    | Hose clip             | ホース クリップ    | 2          |                               |   |           |                       |
| 12               | 38510 43300      |                                    | Pipe                  | パイプ         | 1          |                               |   |           |                       |
| 13               | 02246 06020      |                                    | Bolt, w/w             | ワッシャ付ボルト    | 4          |                               |   |           |                       |
|                  | 42 - 00          |                                    | EXHAUST GROUP         | エキゾースト グループ |            |                               |   |           |                       |
| 51               | * * *            |                                    | Converter, DOC        | DOCコンバータ    | 1          |                               |   |           | (JOHN DEERE DZ100501) |
| 52               | 42310 10211      |                                    | Pipe, exhaust         | エキゾースト パイプ  | 1          |                               |   |           |                       |
| 53               | * * *            |                                    | Clamp                 | クランプ        | 1          |                               |   |           | (JOHN DEERE DZ10554)  |
| 54               | * * *            |                                    | Seal                  | シール         | 1          |                               |   |           | (JOHN DEERE R528112)  |
| 55               | * * *            |                                    | Clamp                 | クランプ        | 1          |                               |   |           | (JOHN DEERE RE298757) |
| 56               | * * *            |                                    | Sealing ring          | シール         | 1          |                               |   |           | (JOHN DEERE R300529)  |
| 57               | 42240 30300      |                                    | Bracket               | ブラケット       | 1          |                               |   |           |                       |
| 58               | 02201 08020      |                                    | Flange bolt           | フランジ付ボルト    | 2          |                               |   |           |                       |
| 59               | 03830 08025      |                                    | U-bolt                | Uボルト        | 1          |                               |   |           |                       |
| 60               | 02915 00008      |                                    | Hexagon flange nuts   | フランジ付ナット    | 2          |                               |   |           |                       |
| 61               | * * *            |                                    | Tube, decomp          | チューブ        | 1          |                               |   |           | (JOHN DEERE RE565074) |
| 62               | * * *            |                                    | Decomp extension tube | パイプ         | 1          |                               |   |           | (JOHN DEERE RE559456) |
| 63               | * * *            |                                    | Converter, SCR        | SCRコンバータ    | 1          |                               |   |           | (JOHN DEERE DZ100467) |
| 64               | * * *            |                                    | V band clamp          | クランプ        | 3          |                               |   |           | (JOHN DEERE RE40348)  |
| 65               | * * *            |                                    | Gasket                | ガスケット       | 3          |                               |   |           | (JOHN DEERE R529640)  |
| 66               | * * *            |                                    | Nox sensor            | Noxセンサ      | 2          |                               |   |           | (JOHN DEERE RE552182) |
| 67               | 02246 06016      |                                    | Bolt, w/w             | ワッシャ付ボルト    | 12         |                               |   |           |                       |
| 68               | * * *            |                                    | Temperature sensor    | 排気温度センサ     | 1          |                               |   |           | (JOHN DEERE RE566739) |
| 69               | * * *            |                                    | Strap, sensor         | ブラケット       | 1          |                               |   |           | (JOHN DEERE RE542006) |
| 70               | 02246 06016      |                                    | Bolt, w/w             | ワッシャ付ボルト    | 2          |                               |   |           |                       |
| 71               | 37181 07700      |                                    | Clip                  | クリップ        | 4          |                               |   |           |                       |
| 72               | * * *            |                                    | DEF injector          | DEFインジェクタ   | 1          |                               |   |           | (JOHN DEERE RE560468) |
| 73               | * * *            |                                    | Gasket                | ガスケット       | 1          |                               |   |           | (JOHN DEERE RE556879) |
| 74               | * * *            |                                    | Bolt                  | ボルト         | 3          |                               |   |           | (JOHN DEERE R537624)  |
| 75               | 42230 21100      |                                    | Belt                  | ベルト         | 2          |                               |   |           |                       |
| 76               | 42230 21200      |                                    | Belt                  | ベルト         | 2          |                               |   |           |                       |
| 77               | 02915 01010      |                                    | Hexagon flange nuts   | フランジ付ナット    | 16         |                               |   |           |                       |
| 78               | 42240 34700      |                                    | Bracket               | ブラケット       | 1          |                               |   |           |                       |
| 79               | 42240 34800      |                                    | Bracket               | ブラケット       | 1          |                               |   |           |                       |
| 80               | 02135 16030      |                                    | Bolt                  | ボルト         | 3          |                               |   |           |                       |
| 81               | 03115 02016      |                                    | Spring washer         | スプリング ワッシャ  | 3          |                               |   |           |                       |
| 82               | 03116 12016      |                                    | Plain washer          | プレーン ワッシャ   | 3          |                               |   |           |                       |
| 83               | 42310 10310      |                                    | Pipe, exhaust         | エキゾースト パイプ  | 1          |                               |   |           |                       |

## 41 - 00 ENGINE &amp; EXHAUST

| 見出番号<br>Ref. NO. | 部品番号<br>Part NO. | 互換性<br>Inter-<br>change<br>ability | 部 品 名 称<br>Part Name |          | 数量<br>Q' ty | 適用号機範囲<br>Applicable Ser. No. |   | 変更<br>C/H | 備 考<br>Remarks |
|------------------|------------------|------------------------------------|----------------------|----------|-------------|-------------------------------|---|-----------|----------------|
|                  |                  |                                    |                      |          |             | 8E1                           | - |           |                |
| 84               | 03511 50138      |                                    | Hose clip            | ホースクリップ  | 2           |                               |   |           |                |
| 85               | 42240 34600      |                                    | Bracket              | ブラケット    | 1           |                               |   |           |                |
| 86               | 42240 34900      |                                    | Bracket              | ブラケット    | 1           | ~0244                         |   |           |                |
| 86 -1            | 42240 41700      | A                                  | Bracket              | ブラケット    | 1           | 0245~                         |   | M 5       |                |
| 87               | 03407 66864      |                                    | Seal rubber          | シールラバー   | 1           |                               |   |           |                |
| 88               | 42240 35600      |                                    | Bracket              | ブラケット    | 2           |                               |   |           |                |
| 89               | 02246 08025      |                                    | Bolt, w/w            | ワッシャ付ボルト | 17          |                               |   |           |                |
| 90               | 03403 00423      | D                                  | Grommet              | グロメット    | 1           | 0245~                         |   | M 5       |                |

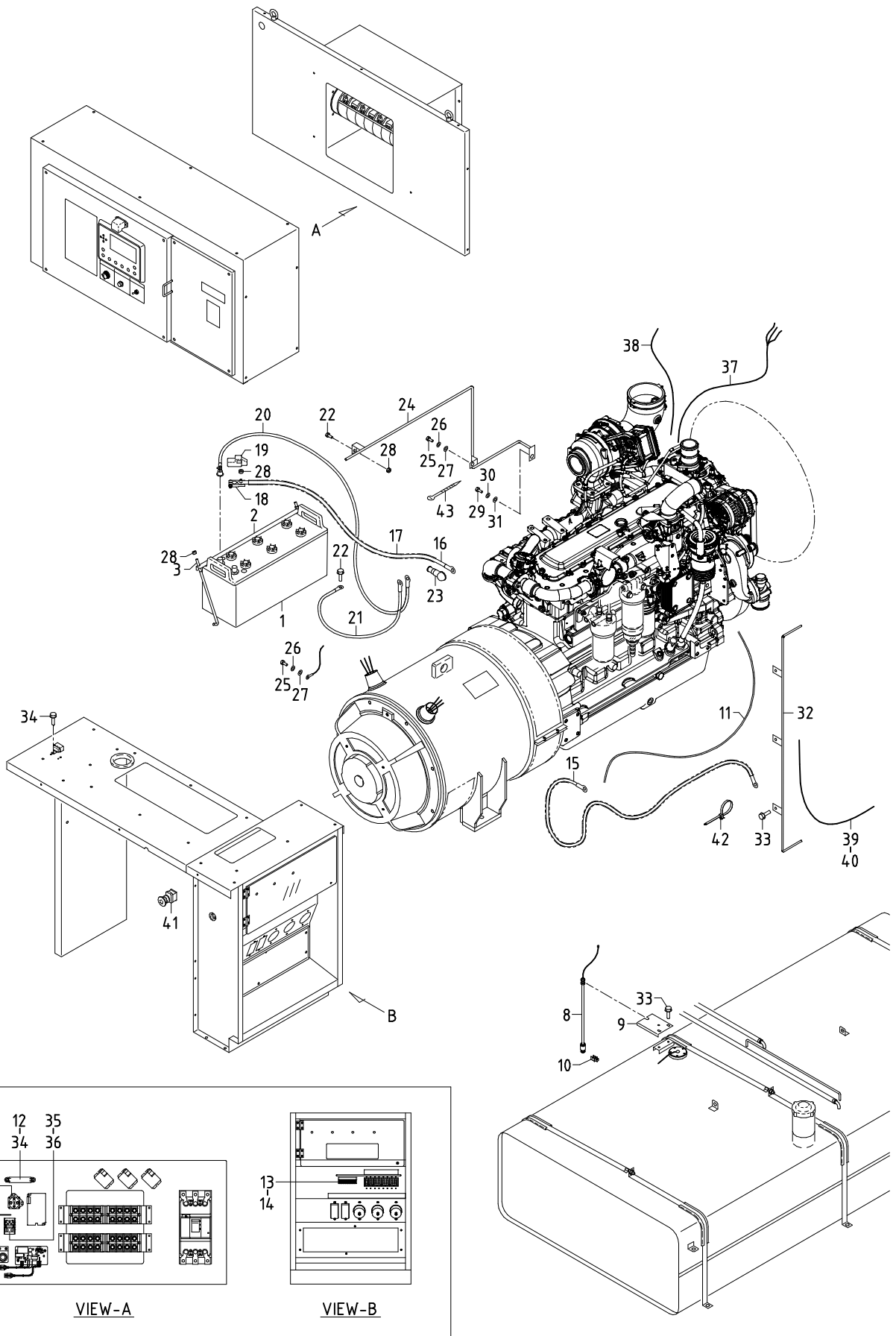


## 43 - 00 FUEL LINE

| 見出番号<br>Ref. NO. | 部品番号<br>Part NO. | 互換性<br>Inter-<br>change<br>ability | 部 品 名 称               |               | 数量<br>Q'ty | 適用号機範囲<br>Applicable Ser. No. |   | 変更<br>C/H | 備 考<br>Remarks        |
|------------------|------------------|------------------------------------|-----------------------|---------------|------------|-------------------------------|---|-----------|-----------------------|
|                  |                  |                                    |                       | Part Name     |            | 8E1                           | - |           |                       |
|                  | 43 - 00          |                                    | FUEL GROUP            | フュエル グループ     |            |                               |   |           |                       |
| 1                | 43100 83901      |                                    | Fuel tank             | フュエル タンク      | 1          | ~0231                         |   |           |                       |
| 1 -1             | 43100 97000      | B                                  | Fuel tank             | フュエル タンク      | 1          | 0232~                         |   | M591      |                       |
| 2                | 38465 22300      |                                    | Cushion rubber        | クッション ラバ-     | 3          |                               |   |           |                       |
| 3                | 43310 32900      |                                    | Belt                  | ベルト           | 3          | ~0186                         |   |           |                       |
| 3 -1             | 43310 38500      | B                                  | Belt                  | ベルト           | 3          | ~0342                         |   | M 3       |                       |
| 3 -2             | 43310 39000      | B                                  | Belt                  | ベルト           | 3          | 0343~                         |   | M743      |                       |
| 4                | 43310 37200      |                                    | Belt                  | ベルト           | 3          | ~0186                         |   |           |                       |
| 4 -1             | 43310 38100      | B                                  | Belt                  | ベルト           | 3          | ~0342                         |   | M 3       |                       |
| 4 -2             | 43310 38200      | B                                  | Belt                  | ベルト           | 3          | 0343~                         |   | M743      |                       |
| 5                | 02915 00010      |                                    | Hexagon flange nuts   | フランジ 付ナット     | 3          | ~0186                         |   |           |                       |
| 5 -1             | 02915 00008      | B                                  | Hexagon flange nuts   | フランジ 付ナット     | 3          | 0187~                         |   | M 3       |                       |
| 6                | 43322 06700      |                                    | Cushion               | クッション         | 6          |                               |   |           |                       |
| 7                | 43220 01300      |                                    | Cap, fuel tank        | フュエル タンク キャップ | 1          |                               |   |           |                       |
| 7 -1             | 43220 03400      | B                                  | Cap, fuel tank        | フュエル タンク キャップ | 1          | 0232~                         |   | M591      | Incl. Strainer        |
| 8                | 43210 01301      | C                                  | Strainer              | ストレーナ         | 1          | 0232~                         |   | M591      |                       |
| 9                | 36159 00600      |                                    | Sending unit          | センディング ユニット   | 1          |                               |   |           | Incl. Gasket          |
|                  | 36153 00600      |                                    | Gasket                | ガスケット         | 1          |                               |   |           |                       |
| 10               | 02415 65012      |                                    | Screw, w/w            | ワッシャ付スクリュー    | 5          |                               |   |           |                       |
| 11               | 03570 19025      |                                    | Hose                  | ホース           | 1          |                               |   |           |                       |
| 12               | 03511 20035      |                                    | Hose clip             | ホース クリップ      | 2          |                               |   |           |                       |
| 13               | 37170 21800      |                                    | Joint                 | ジョイント         | 1          |                               |   |           |                       |
| 14               | 03731 28006      |                                    | Elbow                 | エルボ           | 1          |                               |   |           |                       |
| 15               | 37170 21700      |                                    | Joint                 | ジョイント         | 1          |                               |   |           |                       |
| 16               | 03735 13006      |                                    | Valve                 | バルブ           | 1          |                               |   |           |                       |
| 17               | 33238 02900      |                                    | Plug                  | プラグ           | 1          |                               |   |           |                       |
| 18               | * * *            |                                    | DEF tank              | 尿素水タンク        | 1          |                               |   |           | (JOHN DEERE DZ103066) |
| 19               | * * *            |                                    | DEF tank header ass'y | 尿素水タンクヘッド     | 1          |                               |   |           | (JOHN DEERE DZ111104) |
| 20               | * * *            |                                    | Breather filter       | ブリーザ フィルタ     | 1          |                               |   |           | (JOHN DEERE DZ10077)  |
| 21               | 03600 09070      |                                    | Hose                  | ホース           | 1          |                               |   |           |                       |
| 22               | 03511 40020      |                                    | Hose clip             | ホース クリップ      | 2          |                               |   |           |                       |
| 23               | 37181 07700      |                                    | Clip                  | クリップ          | 1          |                               |   |           |                       |
| 24               | * * *            |                                    | DEF dosing unit       | 尿素水ポンプ ユニット   | 1          |                               |   |           | (JOHN DEERE RE552175) |
| 25               | 02138 08090      |                                    | Bolt                  | ボルト           | 3          |                               |   |           |                       |
|                  | 03115 02008      |                                    | Spring washer         | スプリング ワッシャ    | 3          |                               |   |           |                       |
|                  | 03116 12008      |                                    | Plain washer          | プレーン ワッシャ     | 3          |                               |   |           |                       |
| 26               | * * *            |                                    | DEF line              | 尿素配管          | 1          | ~0244                         |   |           | (JOHN DEERE RE560902) |
| 26 -1            | * * *            | B                                  | DEF line              | 尿素配管          | 1          | 0245~                         |   | M 5       | (JOHN DEERE DZ114740) |
| 27               | * * *            |                                    | DEF line              | 尿素配管          | 1          |                               |   |           | (JOHN DEERE RE560900) |
| 28               | * * *            |                                    | DEF line              | 尿素配管          | 1          |                               |   |           | (JOHN DEERE RE560898) |
| 29               | 52728 45110      |                                    | Cushion rubber        | クッション ラバ-     | 2          |                               |   |           |                       |
| 30               | 33238 02800      |                                    | Plug                  | プラグ           | 2          |                               |   |           |                       |
| 31               | 52220 28101      |                                    | Cover                 | カバー           | 1          |                               |   |           |                       |
| 32               | 52220 28201      |                                    | Cover                 | カバー           | 1          |                               |   |           |                       |
| 33               | 52220 28301      |                                    | Cover                 | カバー           | 1          |                               |   |           |                       |
| 34               | 03407 66916      |                                    | Seal rubber           | シール ラバ-       | 2          |                               |   |           |                       |
| 35               | 02246 06016      |                                    | Bolt, w/w             | ワッシャ付ボルト      | 17         |                               |   |           |                       |
| 36               | 02246 08025      |                                    | Bolt, w/w             | ワッシャ付ボルト      | 3          |                               |   |           |                       |
| 37               | 43330 24801      |                                    | Bracket               | ブラケット         | 1          |                               |   |           |                       |
| 38               | 02201 08020      |                                    | Flange bolt           | フランジ 付ボルト     | 4          |                               |   |           |                       |
| 39               | 43310 35100      |                                    | Belt                  | ベルト           | 2          |                               |   |           |                       |
| 40               | 02915 00008      |                                    | Hexagon flange nuts   | フランジ 付ナット     | 4          |                               |   |           |                       |

## 43 - 00 FUEL LINE

| 見出番号<br>Ref. NO. | 部品番号<br>Part NO. | 互換性<br>Inter-<br>change<br>ability | 部 品 名 称<br>Part Name  |           | 数量<br>Q' ty | 適用号機範囲<br>Applicable Ser. No. |   | 変更<br>C/H | 備 考<br>Remarks        |
|------------------|------------------|------------------------------------|-----------------------|-----------|-------------|-------------------------------|---|-----------|-----------------------|
|                  |                  |                                    |                       |           |             | 8E1                           | - |           |                       |
| 41               | * * *            |                                    | Fitting orfs straight | ニップルアダプタ  | 1           |                               |   |           | (JOHN DEERE RE539472) |
| 42               | * * *            |                                    | Adapter fitting       | ニップルアダプタ  | 1           |                               |   |           | (JOHN DEERE RE565720) |
| 43               | * * *            |                                    | Fitting elbow         | ニップル      | 1           |                               |   |           | (JOHN DEERE RE502954) |
| 44               | 37170 23700      |                                    | Joint                 | ジョイント     | 1           |                               |   |           |                       |
| 45               | 03570 09110      |                                    | Hose                  | ホース       | 1           |                               |   |           |                       |
| 46               | 03570 09190      |                                    | Hose                  | ホース       | 1           |                               |   |           |                       |
| 47               | 03570 09075      |                                    | Hose                  | ホース       | 1           |                               |   |           |                       |
| 48               | 03570 09050      |                                    | Hose                  | ホース       | 1           |                               |   |           |                       |
| 49               | 03570 09033      |                                    | Hose                  | ホース       | 1           |                               |   |           |                       |
| 50               | 03570 09037      |                                    | Hose                  | ホース       | 1           |                               |   |           |                       |
| 51               | 03511 10018      |                                    | Hose clip             | ホースクリップ   | 12          |                               |   |           |                       |
| 52               | 35483 10101      |                                    | Stop valve            | ストップバルブ   | 1           |                               |   |           |                       |
| 53               | 02201 06016      |                                    | Flange bolt           | フランジ付ボルト  | 2           | ~0244                         |   |           |                       |
| 53 -1            | 02201 06016      | Q                                  | Flange bolt           | フランジ付ボルト  | 5           | 0245~                         |   | M 5       |                       |
| 54               | 03734 43030      |                                    | Nipple                | ニップル      | 2           |                               |   |           |                       |
| 55               | 37170 20200      |                                    | Joint                 | ジョイント     | 2           |                               |   |           |                       |
| 56               | 37170 12700      |                                    | Joint                 | ジョイント     | 4           |                               |   |           |                       |
| 57               | 03731 21003      |                                    | Elbow                 | エルボ       | 2           |                               |   |           |                       |
| 58               | 02246 06020      |                                    | Bolt, w/w             | ワッシャ付ボルト  | 2           |                               |   |           |                       |
| 59               | 02915 00010      |                                    | Hexagon flange nuts   | フランジ付ナット  | 6           |                               |   |           |                       |
| 60               | 02138 08045      | D                                  | Bolt                  | ボルト       | 3           | 0187~                         |   | M 3       |                       |
| 60 -1            | 02138 08050      | B                                  | Bolt                  | ボルト       | 3           | 0343~                         |   | M743      |                       |
| 61               | 03115 02008      | D                                  | Spring washer         | スプリングワッシャ | 3           | 0187~                         |   | M 3       |                       |
| 62               | 03116 12008      | D                                  | Plain washer          | プレーンワッシャ  | 3           | 0187~                         |   | M 3       |                       |
| 63               | * * *            | D                                  | DEF line              | 尿素配管      | 1           | 0245~                         |   | M 5       | (JOHN DEERE DZ115726) |
| 64               | * * *            | D                                  | DEF filter            | DEFフィルタ   | 1           | 0245~                         |   | M 5       | (JOHN DEERE DZ118548) |
| 65               | 02248 08025      | D                                  | Bolt, w/w             | ワッシャ付ボルト  | 2           | 0245~                         |   | M 5       |                       |
| 66               | 43340 42600      | D                                  | Bracket               | ブラケット     | 1           | 0245~                         |   | M 5       |                       |
| 67               | 37181 07300      | D                                  | Clip                  | クリップ      | 1           | 0245~                         |   | M 5       |                       |



## 44 - 00 ELECTRIC (for ENGINE)

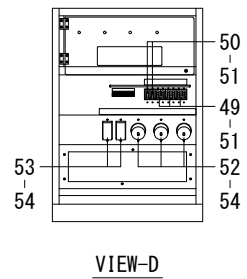
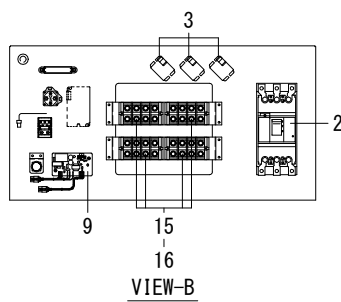
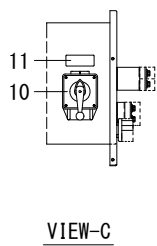
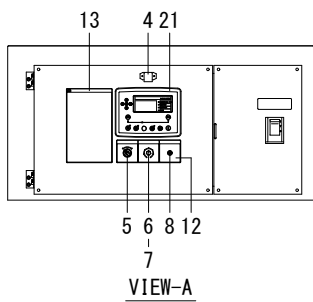
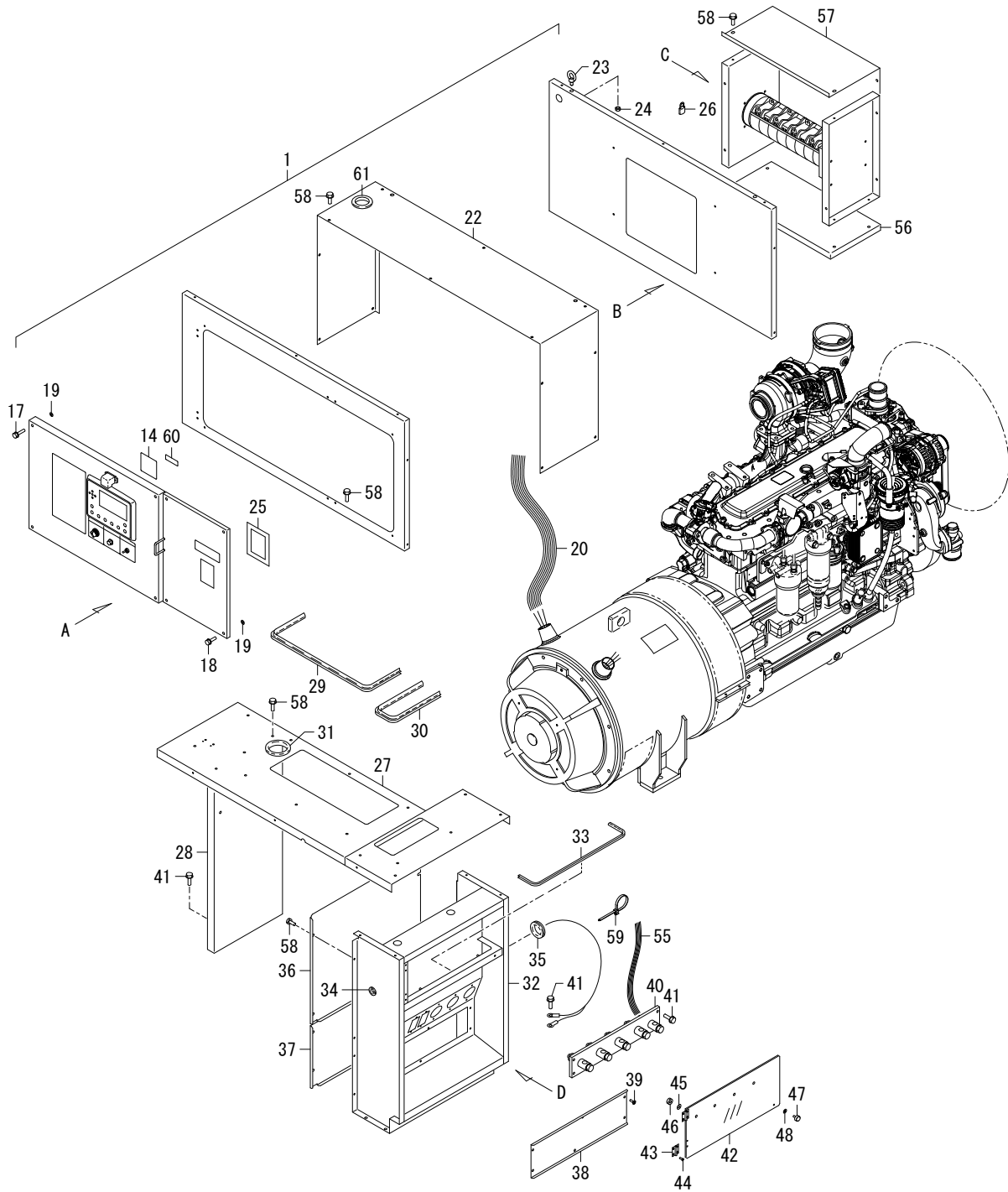
| 見出番号<br>Ref. NO. | 部品番号<br>Part NO. | 互換性<br>Inter-<br>change<br>ability | 部 品 名 称               |              | 数量<br>Q'ty | 適用号機範囲<br>Applicable Ser. No. |       | 変更<br>C/H | 備 考<br>Remarks        |
|------------------|------------------|------------------------------------|-----------------------|--------------|------------|-------------------------------|-------|-----------|-----------------------|
|                  |                  |                                    |                       | Part Name    |            | 8E1                           | -     |           |                       |
|                  | 44 - 00          |                                    | ELECTRIC GROUP        | エレクトリック グループ |            |                               |       |           |                       |
| 1                | 44210 08400      | Y                                  | Battery               | バッテリー        | 1          |                               |       |           | (170F51)              |
| 1                | 44210 02300      | Y                                  | Battery               | バッテリー        | 1          |                               |       |           | (170F51)              |
| 2                | 44220 04300      |                                    | Cover                 | カバー          | 1          |                               |       |           |                       |
| 3                | 44243 03100      |                                    | Holder                | ホルダー         | 2          |                               |       |           |                       |
| 4                | * * *            |                                    | Starter relay         | スタータリレー      | 1          |                               |       |           | (JOHN DEERE RE170320) |
| 5                | 46921 02300      |                                    | Silicon rectifier     | ダイオード        | 1          |                               |       |           |                       |
| 6                | 44250 76110      |                                    | Bracket               | ブラケット        | 1          |                               |       |           |                       |
| 7                | 02345 63012      |                                    | Screw                 | スクリュー        | 4          |                               |       |           |                       |
|                  | 03115 02003      |                                    | Spring washer         | スプリング ワッシャー  | 4          |                               |       |           |                       |
|                  | 03116 12003      |                                    | Plain washer          | プレーン ワッシャー   | 4          |                               |       |           |                       |
|                  | 02912 08003      |                                    | Nut                   | ナット          | 8          |                               |       |           |                       |
| 8                | 46813 08001      |                                    | Level switch          | レベル スイッチ     | 1          |                               |       |           |                       |
| 9                | 43350 01702      |                                    | Bracket               | ブラケット        | 1          |                               |       |           |                       |
| 10               | 37181 03300      |                                    | Clip                  | クリップ         | 1          |                               |       |           |                       |
| 11               | 44490 86140      |                                    | Wiring harness (main) | ワイヤハーネス      | 1          | ~0267                         |       |           | Incl. No. 12          |
| 11 -1            | 44490 06050      | B                                  | Wiring harness (main) | ワイヤハーネス      | 1          | ~0297                         | M596  |           | Incl. No. 12          |
| 11 -2            | 44490 43050      | A                                  | Wiring harness (main) | ワイヤハーネス      | 1          | ~0306                         | M 6-1 |           | Incl. No. 12          |
| 11 -3            | 44490 56050      | B                                  | Wiring harness (main) | ワイヤハーネス      | 1          | 0307~                         | M718  |           | Incl. No. 12          |
| 12               | 44470 03100      |                                    | Fuse box              | ヒューズボックス     | 1          |                               |       |           |                       |
|                  | 46934 03200      |                                    | Fuse                  | ヒューズ         | 2          |                               |       |           | (10A)                 |
|                  | 46934 05600      |                                    | Fuse                  | ヒューズ         | 3          |                               |       |           | (25A)                 |
|                  | 46934 05100      |                                    | Fuse                  | ヒューズ         | 1          |                               |       |           | (30A)                 |
| 13               | 44311 83300      |                                    | Terminal plate        | 端子台          | 1          | ~0267                         |       |           |                       |
| 13 -1            | 44311 02110      | B                                  | Terminal plate        | 端子台          | 1          | 0268~                         | M596  |           |                       |
| 14               | 02345 63020      |                                    | Screw                 | スクリュー        | 2          |                               |       |           |                       |
|                  | 03115 02003      |                                    | Spring washer         | スプリング ワッシャー  | 2          |                               |       |           |                       |
|                  | 03116 12003      |                                    | Plain washer          | プレーン ワッシャー   | 2          |                               |       |           |                       |
|                  | 02912 08003      |                                    | Nut                   | ナット          | 2          |                               |       |           |                       |
| 15               | 44480 91100      |                                    | Cable                 | ケーブル         | 1          |                               |       |           | (alternator~starter)  |
| 16               | 05105 23100      |                                    | Cable                 | ケーブル         | 1          |                               |       |           | (batt. ~starter)      |
| 17               | 06540 15090      |                                    | Corrugated tube       | コルゲートチューブ    | 1          |                               |       |           |                       |
| 18               | 05625 00018      |                                    | Terminal              | ターミナル        | 1          |                               |       |           |                       |
| 19               | 44462 06700      |                                    | Insulator             | インシュレータ      | 1          |                               |       |           | (red)                 |
| 20               | 07808 52120      |                                    | Cable                 | ケーブル         | 1          |                               |       |           | (batt. ~Eng. earth)   |
| 21               | 05068 23090      |                                    | Cable                 | ケーブル         | 1          |                               |       |           | (Eng. earth~frame)    |
| 22               | 02201 08020      |                                    | Flange bolt           | フランジ付ボルト     | 2          |                               |       |           |                       |
| 23               | 44462 00700      |                                    | Insulator             | インシュレータ      | 1          |                               |       |           |                       |
| 24               | 44290 60400      |                                    | Guide                 | ガイド          | 1          |                               |       |           |                       |
| 25               | 02138 12025      |                                    | Bolt                  | ボルト          | 2          |                               |       |           |                       |
| 26               | 03115 02012      |                                    | Spring washer         | スプリング ワッシャー  | 2          |                               |       |           |                       |
| 27               | 03116 12012      |                                    | Plain washer          | プレーン ワッシャー   | 2          |                               |       |           |                       |
| 28               | 02915 00008      |                                    | Hexagon flange nuts   | フランジ付ナット     | 4          |                               |       |           |                       |
| 29               | 02138 14020      |                                    | Bolt                  | ボルト          | 1          |                               |       |           |                       |
| 30               | 03115 02014      |                                    | Spring washer         | スプリング ワッシャー  | 1          |                               |       |           |                       |
| 31               | 03116 12014      |                                    | Plain washer          | プレーン ワッシャー   | 1          |                               |       |           |                       |
| 32               | 44290 59100      |                                    | Guide                 | ガイド          | 1          |                               |       |           |                       |
| 33               | 02201 06016      |                                    | Flange bolt           | フランジ付ボルト     | 5          |                               |       |           |                       |
| 34               | 02248 06016      |                                    | Bolt, w/w             | ワッシャー付ボルト    | 7          |                               |       |           |                       |
| 35               | 44311 96500      |                                    | Terminal plate        | 端子台          | 1          |                               |       |           |                       |
| 36               | 02345 64005      |                                    | Screw                 | スクリュー        | 2          |                               |       |           |                       |
|                  | 03115 02004      |                                    | Spring washer         | スプリング ワッシャー  | 2          |                               |       |           |                       |
|                  | 03116 12004      |                                    | Plain washer          | プレーン ワッシャー   | 2          |                               |       |           |                       |

## 44 - 00 ELECTRIC (for ENGINE)

| 見出番号<br>Ref. NO. | 部品番号<br>Part NO. | 互換性<br>Inter-<br>change-<br>ability | 部 品 名 称<br>Part Name                 | 数量<br>Q' ty | 適用号機範囲<br>Applicable Ser. No. |       | 変更<br>C/H | 備 考<br>Remarks               |
|------------------|------------------|-------------------------------------|--------------------------------------|-------------|-------------------------------|-------|-----------|------------------------------|
|                  |                  |                                     |                                      |             | 8E1                           | -     |           |                              |
| 37               | * * *            |                                     | Wiring harness<br>(ENG. ~sensor)     | ワイヤハ-ネス     | 1                             |       |           | (JOHN DEERE RE567753)        |
| 38               | * * *            |                                     | Wiring harness<br>(ENG. ~Surge tank) | ワイヤハ-ネス     | 1                             |       |           | (JOHN DEERE<br>100-073-0031) |
| 39               | * * *            |                                     | Wiring harness<br>(ENG. ~DEF tank)   | ワイヤハ-ネス     | 1                             |       |           | (JOHN DEERE DZ105895)        |
| 40               | * * *            |                                     | Wiring harness<br>(ENG. ~DEF tank)   | ワイヤハ-ネス     | 1                             |       |           | (JOHN DEERE DZ105899)        |
| 41               | 44336 03002      |                                     | Button switch (Incl. Cap)            | 非常停止ボ-タン    | 1                             | ~0267 |           | (emergency stop)             |
| 41 -1            | 44336 04000      | E                                   | Button switch (Incl. Cap)            | 非常停止ボ-タン    | 1                             | 0268~ | M673      | (emergency stop)             |
|                  | 44382 01301      |                                     | Cap                                  | キャップ        | 1                             |       |           |                              |
| 42               | 37181 07700      |                                     | Clip                                 | クリップ        | 10                            |       |           |                              |
| 43               | 03425 00001      |                                     | Vinyl clip                           | ビ-ニ-ル クリップ  | 1                             |       |           |                              |



46 - 00 ELECTRIC ( for GENERATOR )



46 - 00 ELECTRIC (for GENERATOR)

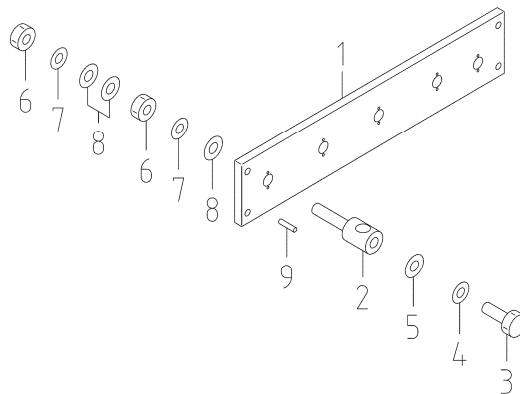
| 見出番号<br>Ref. NO. | 部品番号<br>Part NO. | 互換性<br>Inter-<br>change<br>ability | 部 品 名 称                |              | 数量<br>Q'ty | 適用号機範囲<br>Applicable Ser. No. |   | 変更<br>C/H | 備 考<br>Remarks       |
|------------------|------------------|------------------------------------|------------------------|--------------|------------|-------------------------------|---|-----------|----------------------|
|                  |                  |                                    |                        | Part Name    |            | 8E1                           | - |           |                      |
|                  | 46 - 00          |                                    | ELECTRIC GROUP         | エレクトリック グループ |            |                               |   |           |                      |
| 1                | 46900 43213      |                                    | Switch board ass'y     | 制御盤          | 1          |                               |   |           | Const. No. 2~20 & 60 |
| 2                | 46120 43100      |                                    | Circuit breaker        | 三相遮断器        | 1          |                               |   |           |                      |
| 3                | 46923 04800      |                                    | Current transformer    | 変流器(電流計用)    | 2          |                               |   |           |                      |
| 4                | 46929 01300      |                                    | Illuminator            | 照明灯          | 1          |                               |   |           | (LED)                |
| 5                | 46167 05100      |                                    | Select switch          | セレクト スイッチ    | 1          |                               |   |           |                      |
| 6                | 46918 01401      |                                    | Controller             | 電圧設定器        | 1          |                               |   |           | Incl. No. 7          |
| 7                | 46991 01100      |                                    | Knob                   | ノブ           | 1          |                               |   |           |                      |
| 8                | 46167 05200      |                                    | Select switch          | ライト スイッチ     | 1          | ~0267                         |   |           |                      |
| 8 -1             | 46167 06300      | A                                  | Select switch          | ライト スイッチ     | 1          | 0268~                         |   | M637      |                      |
| 9                | 46950 02602      |                                    | A. V. R. ass'y         | 自動電圧調整器      | 1          | ~0300                         |   |           |                      |
| 9 -1             | 46950 03800      | B                                  | A. V. R. ass'y         | 自動電圧調整器      | 1          | ~0453                         |   | M719      | Incl. Fuse           |
|                  | 46934 05800      | D                                  | Fuse                   | フーズ          | 1          | 0301~                         |   | M719      |                      |
|                  | 46934 05800      | C                                  | Fuse                   | フーズ          | 1          | 0454~                         |   | M770      |                      |
| 9 -2             | 46950 02602      | B                                  | A. V. R. ass'y         | 自動電圧調整器      | 1          | 0454~                         |   | M770      |                      |
| 10               | 46917 06200      |                                    | Change device, voltage | 電圧切替器        | 1          |                               |   |           |                      |
| 11               | 39178 50820      |                                    | Plate (caution)        | プレート         | 1          |                               |   |           |                      |
| 12               | 39178 78240      |                                    | Plate (in-pane)        | プレート         | 1          |                               |   |           |                      |
| 13               | 39153 73700      |                                    | Plate (in-pane)        | プレート         | 1          |                               |   |           |                      |
| 14               | 39178 38220      |                                    | Plate (notice)         | プレート         | 1          |                               |   |           |                      |
| 15               | 44311 59800      |                                    | Terminal plate         | 端子台          | 4          |                               |   |           |                      |
| 16               | 44490 86241      |                                    | Wiring harness         | ワイヤハーネス      | 1          |                               |   |           |                      |
| 17               | 02247 06045      |                                    | Bolt, w/w              | ワッシャ付ボルト     | 4          |                               |   |           |                      |
| 18               | 02247 06030      |                                    | Bolt, w/w              | ワッシャ付ボルト     | 4          |                               |   |           |                      |
| 19               | 45214 01400      |                                    | Washer                 | ワッシャ         | 8          |                               |   |           |                      |
| 20               | 44550 52100      |                                    | Cable kit              | ケーブルキット      | 1          |                               |   |           |                      |
| 21               | 46879 77700      |                                    | Controller complete    | 表示モータ        | 1          | ~0300                         |   |           |                      |
| 21 -1            | 46879 90801      | B                                  | Controller complete    | 表示モータ        | 1          | 0301~                         |   | M721      |                      |
| 22               | 46480 83301      |                                    | Cover                  | カバー          | 1          |                               |   |           |                      |
| 23               | 52742 01300      |                                    | Eye bolt               | アイボルト        | 2          |                               |   |           |                      |
| 24               | 02915 00010      |                                    | Hexagon flange nuts    | フランジ付ナット     | 2          |                               |   |           |                      |
| 25               | 52931 92320      |                                    | Lining                 | ライニング        | 1          |                               |   |           |                      |
| 26               | 52723 00100      |                                    | Lock ass'y             | ロック          | 1          | ~0381                         |   |           | key type             |
|                  | 52739 00100      |                                    | Key                    | キー           | 1          | ~0381                         |   |           | (No. 005)            |
| 26 -1            | 52723 01200      | B                                  | Lock ass'y             | ロック          | 1          | 0382~                         |   | M740      | key type             |
|                  | 52739 04500      | B                                  | Key                    | キー           | 1          | 0382~                         |   | M740      | (No. 192)            |
| 27               | 46450 36611      |                                    | Bracket                | ブラケット        | 1          |                               |   |           |                      |
| 28               | 46450 36110      |                                    | Bracket                | ブラケット        | 1          |                               |   |           |                      |
| 29               | 03407 64737      |                                    | Seal rubber            | シールラバー       | 1          |                               |   |           |                      |
| 30               | 03407 64714      |                                    | Seal rubber            | シールラバー       | 1          |                               |   |           |                      |
| 31               | 03403 00803      |                                    | Grommet                | グロメット        | 1          |                               |   |           |                      |
| 32               | 46470 19610      |                                    | Box                    | ボックス         | 1          | ~0267                         |   |           |                      |
| 32 -1            | 46470 29512      | B                                  | Box                    | ボックス         | 1          | 0268~                         |   | M596      |                      |
| 33               | 03407 66504      |                                    | Seal rubber            | シールラバー       | 1          |                               |   |           |                      |
| 34               | 03403 00252      |                                    | Grommet                | グロメット        | 1          |                               |   |           |                      |
| 35               | 03403 00512      |                                    | Grommet                | グロメット        | 1          | ~0429                         |   |           |                      |
| 35 -1            | 03403 00512      | Q                                  | Grommet                | グロメット        | 2          | 0430~                         |   | M757      |                      |
| 36               | 44260 49000      |                                    | Bracket                | ブラケット        | 1          |                               |   |           |                      |
| 37               | 44260 49100      |                                    | Bracket                | ブラケット        | 1          |                               |   |           |                      |
| 38               | 46480 50200      |                                    | Cover                  | カバー          | 1          |                               |   |           |                      |
| 39               | 02401 46016      |                                    | Screw                  | スクリュー        | 6          |                               |   |           |                      |

## 46 - 00 ELECTRIC (for GENERATOR)

| 見出番号<br>Ref. NO. | 部品番号<br>Part NO. | 互換性<br>Inter-<br>change<br>ability | 部 品 名 称<br>Part Name  |             | 数量<br>Q'ty | 適用号機範囲<br>Applicable Ser. No. |   | 変更<br>C/H | 備 考<br>Remarks |
|------------------|------------------|------------------------------------|-----------------------|-------------|------------|-------------------------------|---|-----------|----------------|
|                  |                  |                                    |                       |             |            | 8E1                           | - |           |                |
| 40               | 44311 56101      |                                    | Terminal plate        | 三相出力端子板     | 1          |                               |   |           | See page 46-4  |
| 41               | 02201 08020      |                                    | Flange bolt           | フランジ付ボルト    | 11         |                               |   |           |                |
| 42               | 52416 30400      |                                    | Window glass          | アクリル板       | 1          |                               |   |           |                |
| 43               | 52312 03300      |                                    | Hinge                 | ヒンジ         | 2          |                               |   |           |                |
| 44               | 02305 64012      |                                    | Screw                 | スクリュー       | 8          |                               |   |           |                |
| 45               | 03116 12005      |                                    | Plain washer          | プレーン ワッシャー  | 4          |                               |   |           |                |
| 46               | 02915 00004      |                                    | Hexagon flange nuts   | フランジ付ナット    | 4          |                               |   |           |                |
| 47               | 52640 02400      |                                    | Bolt                  | ボルト         | 1          |                               |   |           |                |
| 48               | 45214 01400      |                                    | Washer                | ワッシャー       | 1          |                               |   |           |                |
| 49               | 46120 26900      | Y                                  | Circuit breaker       | 電源遮断器       | 3          |                               |   |           | (2P, 50A)      |
| 49               | 46120 34000      | Y                                  | Circuit breaker       | 電源遮断器       | 3          |                               |   |           | (2P, 50A)      |
| 50               | 46120 26800      | Y                                  | Circuit breaker       | 電源遮断器       | 2          |                               |   |           | (1P, 20A)      |
| 50               | 46120 34100      | Y                                  | Circuit breaker       | 電源遮断器       | 2          |                               |   |           | (1P, 20A)      |
| 51               | 02345 63008      |                                    | Screw                 | スクリュー       | 16         |                               |   |           |                |
|                  | 03115 02003      |                                    | Spring washer         | スプリング ワッシャー | 16         |                               |   |           |                |
|                  | 03116 12003      |                                    | Plain washer          | プレーン ワッシャー  | 16         |                               |   |           |                |
| 52               | 44312 02801      |                                    | Socket                | ソケット        | 3          |                               |   |           |                |
| 53               | 44312 02900      |                                    | Socket                | ソケット        | 2          |                               |   |           |                |
| 54               | 02345 64020      |                                    | Screw                 | スクリュー       | 10         |                               |   |           |                |
|                  | 02912 08004      |                                    | Nut                   | ナット         | 10         |                               |   |           |                |
|                  | 03115 02004      |                                    | Spring washer         | スプリング ワッシャー | 10         |                               |   |           |                |
|                  | 03116 12004      |                                    | Plain washer          | プレーン ワッシャー  | 20         |                               |   |           |                |
| 55               | 44550 52001      |                                    | Cable kit             | ケーブル キット    | 1          |                               |   |           |                |
| 56               | 46450 37510      |                                    | Bracket               | ブラケット       | 1          |                               |   |           |                |
| 57               | 46480 84900      |                                    | Cover                 | カバー         | 1          |                               |   |           |                |
| 58               | 02201 06016      |                                    | Flange bolt           | フランジ付ボルト    | 45         |                               |   |           |                |
| 59               | 37181 07700      |                                    | Clip                  | クリップ        | 1          |                               |   |           |                |
| 60               | 39178 55610      |                                    | Plate (caution, test) | プレート        | 1          |                               |   |           |                |
| 61               | 03403 00592      | D                                  | Grommet               | グロメット       | 1          | 0430~                         |   | M757      |                |

46 - 01 TERMINAL PLATE

| 見出番号<br>Ref. NO. | 部品番号<br>Part NO. | 互換性<br>Inter-<br>change<br>ability | 部 品 名 称        |            | 数量<br>Q' ty | 適用号機範囲<br>Applicable Ser. No. |   | 変更<br>C/H | 備 考<br>Remarks |
|------------------|------------------|------------------------------------|----------------|------------|-------------|-------------------------------|---|-----------|----------------|
|                  |                  |                                    | Part Name      |            |             | 8E1                           | - |           |                |
|                  | 44311 56101      |                                    | TERMINAL PLATE | 三相出力端子板    |             |                               |   |           |                |
| 1                | 46305 09100      |                                    | Plate          | 端子板        | 1           |                               |   |           |                |
| 2                | 46312 05100      |                                    | Bolt           | ボルト        | 5           |                               |   |           |                |
| 3                | 35208 04500      |                                    | Bolt           | ボルト        | 5           |                               |   |           |                |
| 4                | 03115 06014      |                                    | Spring washer  | スプリング ワッシャ | 5           |                               |   |           |                |
| 5                | 03116 15014      |                                    | Plain washer   | プレーン ワッシャ  | 5           |                               |   |           |                |
| 6                | 02912 03014      |                                    | Nut            | ナット        | 10          |                               |   |           |                |
| 7                | 03115 02014      |                                    | Spring washer  | スプリング ワッシャ | 10          |                               |   |           |                |
| 8                | 03116 14014      |                                    | Plain washer   | プレーン ワッシャ  | 15          |                               |   |           |                |
| 9                | 03316 03016      |                                    | Pin            | ピン         | 10          |                               |   |           |                |





## 51 - 00 FRAME &amp; BONNET

| 見出番号<br>Ref. NO. | 部品番号<br>Part NO. | 互換性<br>Inter-<br>change<br>ability | 部 品 名 称        |            | 数量<br>Q'ty | 適用号機範囲<br>Applicable Ser. No. |   | 変更<br>C/H | 備 考<br>Remarks |
|------------------|------------------|------------------------------------|----------------|------------|------------|-------------------------------|---|-----------|----------------|
|                  |                  |                                    | Part Name      |            |            | 8E1                           | - |           |                |
|                  | 51 - 00          |                                    | FRAME GROUP    | フレーム グループ  |            |                               |   |           |                |
| 1                | 51100 79942      |                                    | Frame          | フレーム       | 1          |                               |   |           |                |
| 2                | 03403 10017      |                                    | Grommet        | グロメット      | 4          |                               |   |           |                |
| 3                | 51500 53300      |                                    | Bracket        | ブラケット      | 1          |                               |   |           |                |
| 4                | 51500 53401      |                                    | Bracket        | ブラケット      | 2          |                               |   |           |                |
| 5                | 02135 20060      |                                    | Bolt           | ボルト        | 8          |                               |   |           |                |
| 6                | 03115 06020      |                                    | Spring washer  | スプリング ワッシャ | 8          |                               |   |           |                |
| 7                | 03116 15020      |                                    | Plain washer   | プレーン ワッシャ  | 12         |                               |   |           |                |
| 8                | 02912 04020      |                                    | Nut            | ナット        | 4          |                               |   |           |                |
| 9                | 52728 20010      |                                    | Cushion rubber | クッション ラバー  | 2          |                               |   |           |                |
|                  | 52 - 00          |                                    | BONNET GROUP   | ボンネット グループ |            |                               |   |           |                |
| 21               | 52100 59230      |                                    | Cover          | カバー        | 1          |                               |   |           |                |
| 22               | 52100 59330      |                                    | Cover          | カバー        | 1          |                               |   |           |                |
| 23               | 52830 56100      |                                    | Cover          | カバー        | 1          | ~0285                         |   |           |                |
| 23 -1            | 52830 61700      | A                                  | Cover          | カバー        | 1          | 0286~                         |   | M 6-2     |                |
| 24               | 03407 66805      |                                    | Seal rubber    | シール ラバー    | 2          |                               |   |           |                |
| 25               | 52830 56200      |                                    | Cover          | カバー        | 1          |                               |   |           |                |
| 26               | 52300 65620      |                                    | Top cover      | トップカバー     | 1          | ~0429                         |   |           |                |
| 26 -1            | 52300 96820      | B                                  | Top cover      | トップカバー     | 1          | 0430~                         |   | M757      |                |
| 27               | 52350 29430      |                                    | Cover          | カバー        | 1          | ~0429                         |   |           |                |
| 27 -1            | 52350 82230      | B                                  | Cover          | カバー        | 1          | 0430~                         |   | M757      |                |
| 28               | 52300 65420      |                                    | Top cover      | トップカバー     | 1          |                               |   |           |                |
| 29               | 03407 68084      |                                    | Seal rubber    | シール ラバー    | 2          |                               |   |           |                |
| 30               | 52711 01400      |                                    | Latch          | ラッチ        | 2          |                               |   |           |                |
| 31               | 52733 11201      |                                    | Plate          | プレート       | 1          |                               |   |           |                |
| 32               | 52746 01900      |                                    | Cap            | キャップ       | 2          |                               |   |           |                |
| 33               | 52728 28210      |                                    | Cushion rubber | クッション ラバー  | 4          |                               |   |           |                |
| 34               | 52160 09510      |                                    | Bracket        | ブラケット      | 2          |                               |   |           |                |
| 35               | 52160 09410      |                                    | Bracket        | ブラケット      | 1          |                               |   |           |                |
| 36               | 52100 59530      |                                    | Cover          | カバー        | 1          |                               |   |           |                |
| 37               | 52100 59431      |                                    | Cover          | カバー        | 1          |                               |   |           |                |
| 38               | 52370 33111      |                                    | Duct           | ダクト        | 1          |                               |   |           |                |
| 39               | 03407 68069      |                                    | Seal rubber    | シール ラバー    | 1          |                               |   |           |                |
| 40               | 52300 65520      |                                    | Top cover      | トップカバー     | 1          |                               |   |           |                |
| 41               | 03407 66825      |                                    | Seal rubber    | シール ラバー    | 3          |                               |   |           |                |
| 42               | 03407 66867      |                                    | Seal rubber    | シール ラバー    | 1          |                               |   |           |                |
| 43               | 52100 59730      |                                    | Cover          | カバー        | 1          |                               |   |           |                |
| 44               | 03407 66807      |                                    | Seal rubber    | シール ラバー    | 3          | ~0285                         |   |           |                |
| 44 -1            | 03407 66807      | Q                                  | Seal rubber    | シール ラバー    | 4          | 0286~                         |   | M 6-2     |                |
| 45               | 03407 66840      |                                    | Seal rubber    | シール ラバー    | 2          |                               |   |           |                |
| 46               | 03407 67605      |                                    | Seal rubber    | シール ラバー    | 6          |                               |   |           |                |
| 47               | 52350 34230      |                                    | Cover          | カバー        | 1          |                               |   |           |                |
| 48               | 52230 51100      |                                    | Cover          | カバー        | 1          |                               |   |           |                |
| 49               | 52450 80730      |                                    | Door           | ドア         | 1          |                               |   |           |                |
| 50               | 52416 30800      |                                    | Window glass   | ウインドガラス    | 1          |                               |   |           |                |
| 51               | 52230 44800      |                                    | Cover          | カバー        | 1          |                               |   |           |                |
| 52               | 39200 04302      |                                    | Tool box       | ツールボックス    | 1          |                               |   |           |                |
| 53               | 52370 33411      |                                    | Duct           | ダクト        | 1          |                               |   |           |                |

## 51 - 00 FRAME &amp; BONNET

| 見出番号<br>Ref. NO. | 部品番号<br>Part NO. | 互換性<br>Inter-<br>change<br>ability | 部 品 名 称<br>Part Name          |           | 数量<br>Q' ty | 適用号機範囲<br>Applicable Ser. No. |   | 変更<br>C/H | 備 考<br>Remarks |
|------------------|------------------|------------------------------------|-------------------------------|-----------|-------------|-------------------------------|---|-----------|----------------|
|                  |                  |                                    |                               |           |             | 8E1                           | - |           |                |
| 54               | 52450 78630      |                                    | Door                          | ドア        | 1           |                               |   |           |                |
| 55               | 52370 33511      |                                    | Duct                          | ダクト       | 1           |                               |   |           |                |
| 56               | 52370 33611      |                                    | Duct                          | ダクト       | 1           |                               |   |           |                |
| 57               | 03407 64734      |                                    | Seal rubber                   | シール ラバ-   | 2           |                               |   |           |                |
| 58               | 03407 68104      |                                    | Seal rubber                   | シール ラバ-   | 1           |                               |   |           |                |
| 59               | 31131 04100      |                                    | Rubber,<br>vibration isolator | ラバ-       | 12          |                               |   |           |                |
| 60               | 52450 78530      |                                    | Door                          | ドア        | 1           |                               |   |           |                |
| 61               | 03407 64734      |                                    | Seal rubber                   | シール ラバ-   | 1           |                               |   |           |                |
| 62               | 03407 64768      |                                    | Seal rubber                   | シール ラバ-   | 1           |                               |   |           |                |
| 63               | 52710 03601      |                                    | Latch ass'y                   | ラッチ       | 5           |                               |   |           | key type       |
|                  | 52739 03400      |                                    | Key                           | キー        | 1           |                               |   |           | (No. 0200)     |
| 64               | 52400 71720      |                                    | Side cover                    | サイド カバ-   | 1           |                               |   |           |                |
| 65               | 03407 64780      |                                    | Seal rubber                   | シール ラバ-   | 1           |                               |   |           |                |
| 66               | 03407 67232      |                                    | Seal rubber                   | シール ラバ-   | 3           |                               |   |           |                |
| 67               | 52450 78430      |                                    | Door                          | ドア        | 1           |                               |   |           |                |
| 68               | 52480 12500      |                                    | Hinge                         | ヒンジ       | 6           |                               |   |           |                |
| 69               | 52160 09110      |                                    | Bracket                       | ブラケット     | 1           |                               |   |           |                |
| 70               | 52350 89010      |                                    | Cover                         | カバ-       | 1           |                               |   |           |                |
| 71               | 02246 08016      |                                    | Bolt, w/w                     | ワッシャ付ボルト  | 2           |                               |   |           |                |
| 72               | 52450 78330      |                                    | Door                          | ドア        | 1           |                               |   |           |                |
| 73               | 52480 12600      |                                    | Hinge                         | ヒンジ       | 6           |                               |   |           |                |
| 74               | 52370 33311      |                                    | Duct                          | ダクト       | 1           |                               |   |           |                |
| 75               | 03407 68104      |                                    | Seal rubber                   | シール ラバ-   | 1           |                               |   |           |                |
| 76               | 02915 00006      |                                    | Hexagon flange nuts           | フランジ付ナット  | 167         | ~0267                         |   |           |                |
| 76 -1            | 02915 00006      | Q                                  | Hexagon flange nuts           | フランジ付ナット  | 170         | 0268~                         |   | M596      |                |
| 77               | 02246 08025      |                                    | Bolt, w/w                     | ワッシャ付ボルト  | 63          |                               |   |           |                |
| 78               | 52350 35230      |                                    | Cover                         | カバ-       | 1           |                               |   |           |                |
| 79               | 52370 33711      |                                    | Duct                          | ダクト       | 1           |                               |   |           |                |
| 80               | 52160 14710      |                                    | Bracket                       | ブラケット     | 1           |                               |   |           |                |
| 81               | 03407 66860      |                                    | Seal rubber                   | シール ラバ-   | 1           |                               |   |           |                |
| 82               | 03407 68059      |                                    | Seal rubber                   | シール ラバ-   | 1           |                               |   |           |                |
| 83               | 03407 68088      |                                    | Seal rubber                   | シール ラバ-   | 1           |                               |   |           |                |
| 84               | 52160 09210      |                                    | Bracket                       | ブラケット     | 1           |                               |   |           |                |
| 85               | 52160 09310      |                                    | Bracket                       | ブラケット     | 1           |                               |   |           |                |
| 86               | 52728 14810      |                                    | Cushion rubber                | クッション ラバ- | 5           |                               |   |           |                |
| 87               | 02246 06016      |                                    | Bolt, w/w                     | ワッシャ付ボルト  | 30          |                               |   |           |                |
| 88               | 03407 66803      |                                    | Seal rubber                   | シール ラバ-   | 2           |                               |   |           |                |
| 89               | 03407 67611      |                                    | Seal rubber                   | シール ラバ-   | 1           |                               |   |           |                |
| 90               | 52450 78031      |                                    | Door                          | ドア        | 1           |                               |   |           |                |
| 91               | 52160 03710      |                                    | Bracket                       | ブラケット     | 1           |                               |   |           |                |
| 92               | 03407 68110      |                                    | Seal rubber                   | シール ラバ-   | 1           |                               |   |           |                |
| 93               | 52480 13800      |                                    | Hinge                         | ヒンジ       | 4           |                               |   |           |                |
| 94               | 52450 19131      |                                    | Door                          | ドア        | 1           |                               |   |           |                |
| 95               | 03403 10010      |                                    | Grommet                       | グロメット     | 10          |                               |   |           |                |
| 96               | 03407 68122      |                                    | Seal rubber                   | シール ラバ-   | 1           |                               |   |           |                |
| 97               | 52480 14400      |                                    | Hinge                         | ヒンジ       | 4           |                               |   |           |                |
| 98               | 02136 08016      |                                    | Bolt                          | ボルト       | 32          |                               |   |           |                |
| 99               | 52160 08810      |                                    | Bracket                       | ブラケット     | 2           |                               |   |           |                |
| 100              | 52160 08910      |                                    | Bracket                       | ブラケット     | 1           |                               |   |           |                |
| 101              | 52160 09010      |                                    | Bracket                       | ブラケット     | 1           |                               |   |           |                |
| 102              | 02201 08020      |                                    | Flange bolt                   | フランジ付ボルト  | 18          |                               |   |           |                |

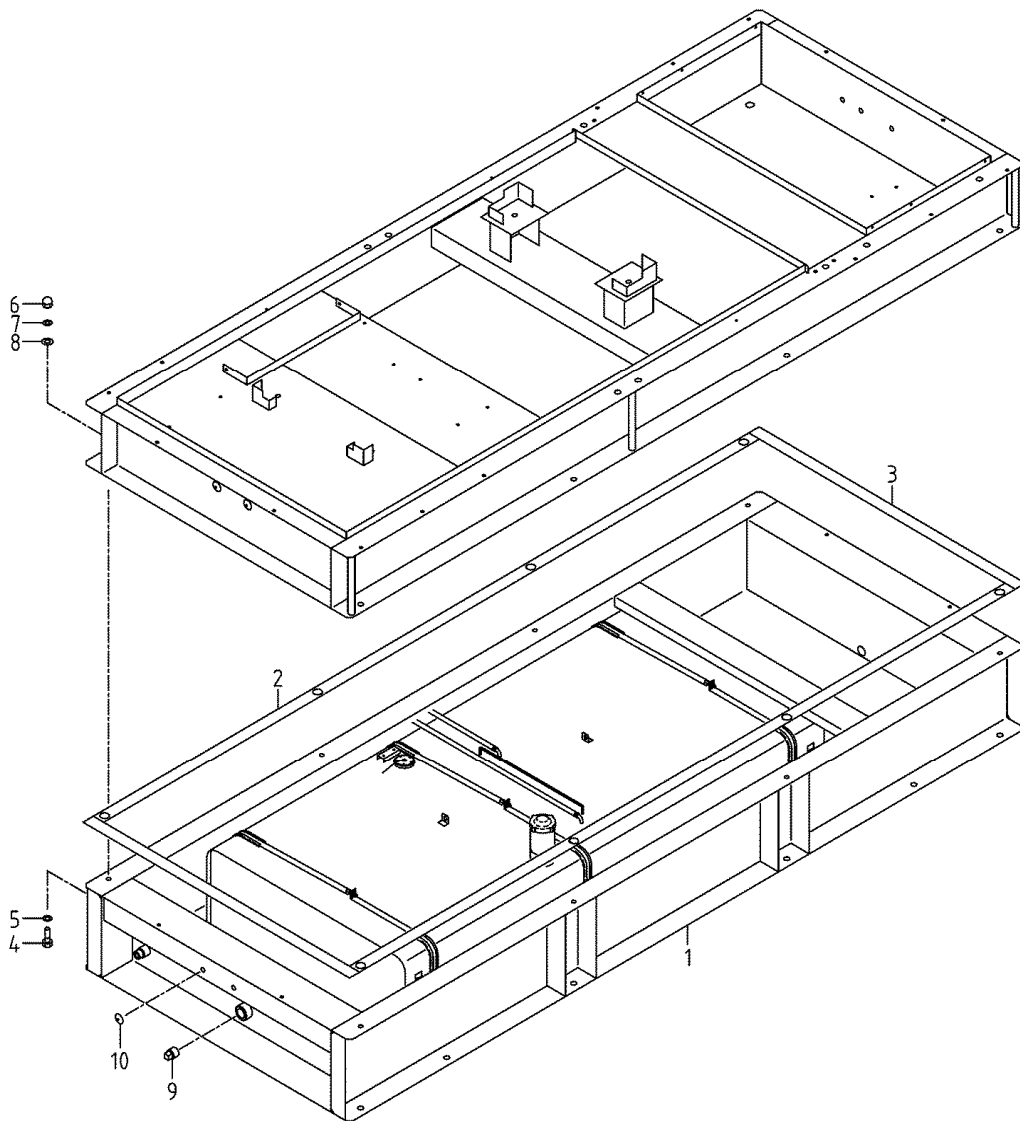
## 51 - 00 FRAME &amp; BONNET

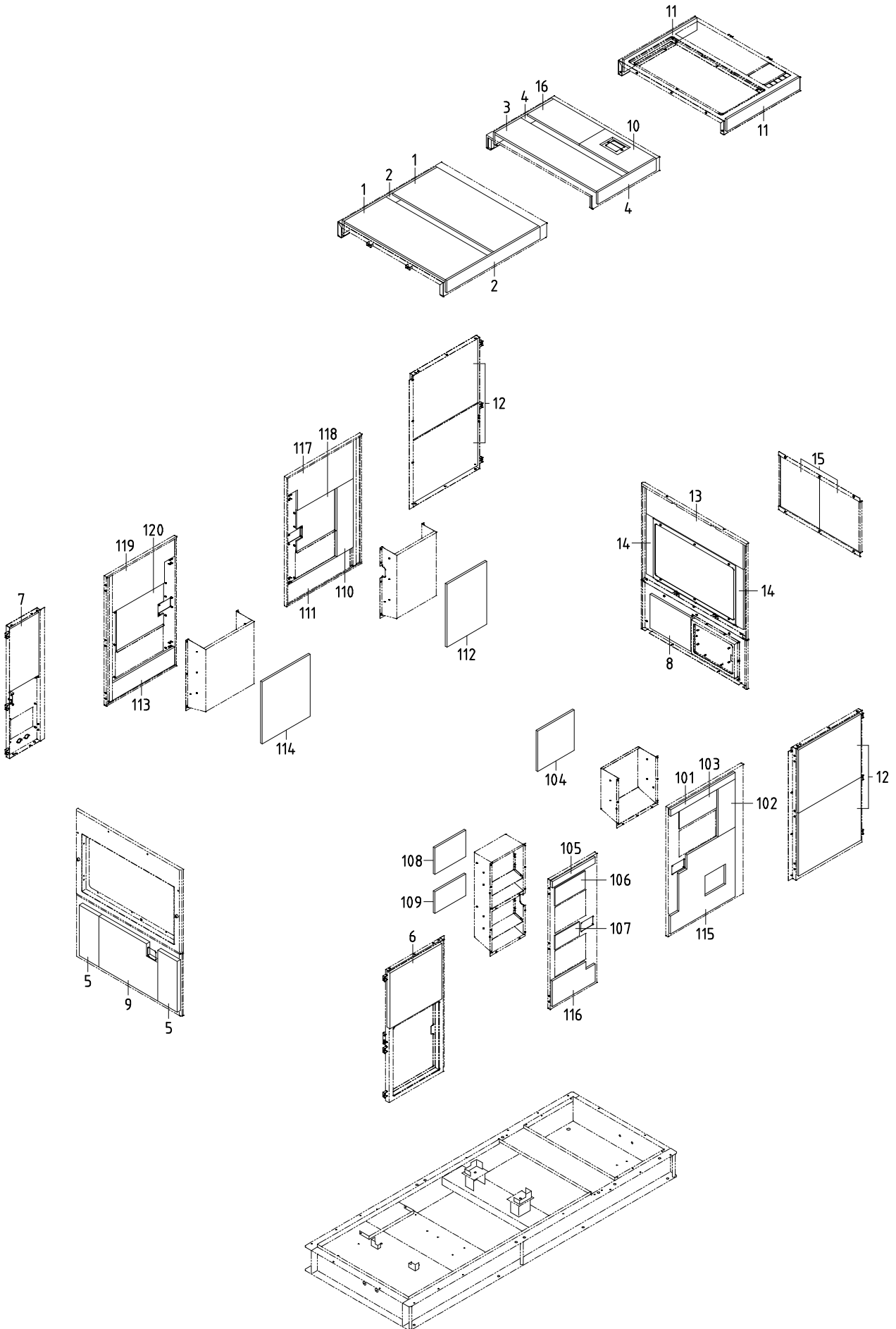
| 見出番号<br>Ref. NO. | 部品番号<br>Part NO. | 互換性<br>Inter-<br>change<br>ability | 部 品 名 称             |            | 数量<br>Q' ty | 適用号機範囲<br>Applicable Ser. No. |   | 変更<br>C/H | 備 考<br>Remarks |
|------------------|------------------|------------------------------------|---------------------|------------|-------------|-------------------------------|---|-----------|----------------|
|                  |                  |                                    |                     | Part Name  |             | 8E1                           | - |           |                |
| 103              | 02915 00008      |                                    | Hexagon flange nuts | フランジ 付ナット  | 8           |                               |   |           |                |
| 104              | 52744 01200      |                                    | Washer              | ワッシャ       | 8           |                               |   |           |                |
| 105              | 02136 08020      |                                    | Bolt                | ボルト        | 52          |                               |   |           |                |
| 106              | 03116 35008      |                                    | Plain washer        | フ レーン ワッシャ | 4           |                               |   |           |                |
| 107              | 52744 00900      |                                    | Washer              | ワッシャ       | 4           |                               |   |           |                |
| 108              | 03407 68093      |                                    | Seal rubber         | シール ラハ ー   | 2           |                               |   |           |                |
| 109              | 52370 33011      |                                    | Duct                | ダ クト       | 1           |                               |   |           |                |
| 110              | 03407 68055      |                                    | Seal rubber         | シール ラハ ー   | 1           |                               |   |           |                |
| 111              | 52350 34830      |                                    | Cover               | カバ ー       | 1           |                               |   |           |                |
| 112              | 52350 35130      |                                    | Cover               | カバ ー       | 1           |                               |   |           |                |
| 113              | 03407 66811      |                                    | Seal rubber         | シール ラハ ー   | 4           |                               |   |           |                |
| 114              | 03407 68156      |                                    | Seal rubber         | シール ラハ ー   | 1           |                               |   |           |                |
| 115              | 03266 05013      |                                    | Blind rivet         | リハ ット      | 20          |                               |   |           |                |
| 116              | 03407 67602      |                                    | Seal rubber         | シール ラハ ー   | 1           |                               |   |           |                |
| 117              | 03407 64777      |                                    | Seal rubber         | シール ラハ ー   | 1           |                               |   |           |                |
| 118              | 03407 64784      |                                    | Seal rubber         | シール ラハ ー   | 1           |                               |   |           |                |
| 119              | 03407 64759      |                                    | Seal rubber         | シール ラハ ー   | 1           |                               |   |           |                |
| 120              | 52710 04400      |                                    | Latch ass'y         | ラ ッチ       | 8           |                               |   |           |                |
| 121              | 52458 05300      |                                    | Plate               | フ レート      | 8           |                               |   |           |                |
| 122              | 52734 09000      |                                    | Bar                 | バ ー        | 4           |                               |   |           |                |
| 123              | 03310 30020      |                                    | Split pin           | ス プリット ピン  | 8           |                               |   |           |                |
| 124              | 03266 05012      |                                    | Blind rivet         | リハ ット      | 38          |                               |   |           |                |
| 125              | 03407 68100      |                                    | Seal rubber         | シール ラハ ー   | 1           |                               |   |           |                |
| 126              | 52370 33911      |                                    | Duct                | ダ クト       | 1           |                               |   |           |                |
| 127              | 03407 66867      |                                    | Seal rubber         | シール ラハ ー   | 1           |                               |   |           |                |
| 128              | 52370 34011      |                                    | Duct                | ダ クト       | 2           |                               |   |           |                |
| 129              | 52350 83220      |                                    | Cover               | カバ ー       | 1           |                               |   |           |                |
| 130              | 02401 45016      |                                    | Screw               | スクリュー      | 2           |                               |   |           |                |
| 131              | 52728 52910      |                                    | Cushion rubber      | クッション ラハ ー | 1           |                               |   |           |                |
| 132              | 52456 04201      |                                    | Plate               | フ レート      | 1           |                               |   |           |                |
| 133              | 02914 60006      |                                    | Locking nut         | ロッキング ナット  | 4           |                               |   |           |                |
| 134              | 52370 33811      |                                    | Duct                | ダ クト       | 1           |                               |   |           |                |
| 135              | 52733 11201      |                                    | Plate               | フ レート      | 1           | ~0267                         |   |           |                |
| 135 -1           | 52733 12700      | A                                  | Plate               | フ レート      | 1           | 0268~                         |   | M295      |                |



51 - 01 OIL FENCE

| 見出番号<br>Ref. NO. | 部品番号<br>Part NO. | 互換性<br>Inter-<br>change<br>ability | 部品名称           |            | 数量<br>Q'ty | 適用号機範囲<br>Applicable Ser. No. |      | 変更<br>C/H | 備考<br>Remarks |
|------------------|------------------|------------------------------------|----------------|------------|------------|-------------------------------|------|-----------|---------------|
|                  |                  |                                    |                | Part Name  |            | 8E1                           | -    |           |               |
|                  | 51 - 01          |                                    | FRAME GROUP    | フレームグループ   |            |                               |      |           |               |
| 1                | 51250 01500      |                                    | Base           | ベース        | 1          | ~0342                         |      |           |               |
| 1-1              | 51250 08600      | B                                  | Base           | ベース        | 1          | 0343~                         | M743 |           |               |
| 2                | 52728 53110      |                                    | Cushion rubber | クッション ラバー  | 2          |                               |      |           |               |
| 3                | 52728 53010      |                                    | Cushion rubber | クッション ラバー  | 2          |                               |      |           |               |
| 4                | 02162 16050      |                                    | Bolt           | ボルト        | 8          |                               |      |           |               |
| 5                | 52744 01700      |                                    | Washer         | ワッシャ       | 8          |                               |      |           |               |
| 6                | 02914 20016      |                                    | Cap nut        | キャップ ナット   | 8          |                               |      |           |               |
| 7                | 03115 02016      |                                    | Spring washer  | スプリング ワッシャ | 16         |                               |      |           |               |
| 8                | 03116 12016      |                                    | Plain washer   | プレーン ワッシャ  | 8          |                               |      |           |               |
| 9                | 03620 41012      |                                    | Plug           | プラグ        | 2          |                               |      |           |               |
| 10               | 03403 10017      |                                    | Grommet        | グロメット      | 4          |                               |      |           |               |





## 52 - 00 LINING

| 見出番号<br>Ref. NO. | 部品番号<br>Part NO. | 互換性<br>Inter-<br>change<br>ability | 部 品 名 称<br>Part Name |               | 数量<br>Q' ty | 適用号機範囲<br>Applicable Ser. No. |   | 変更<br>C/H | 備 考<br>Remarks |
|------------------|------------------|------------------------------------|----------------------|---------------|-------------|-------------------------------|---|-----------|----------------|
|                  |                  |                                    |                      |               |             | 8E1                           | - |           |                |
|                  | 52900 53121      |                                    | URETHANE FOAM KIT    | ウレタン フォーム キット |             |                               |   |           |                |
| 1                | 52959 32560      |                                    | Lining               | ライニング*        | 2           |                               |   |           |                |
| 2                | 52959 46550      |                                    | Lining               | ライニング*        | 2           |                               |   |           |                |
| 3                | 52959 32660      |                                    | Lining               | ライニング*        | 1           |                               |   |           |                |
| 4                | 52959 32760      |                                    | Lining               | ライニング*        | 2           |                               |   |           |                |
| 5                | 52959 35350      |                                    | Lining               | ライニング*        | 2           |                               |   |           |                |
| 6                | 52959 26760      |                                    | Lining               | ライニング*        | 1           |                               |   |           |                |
| 7                | 52959 13260      |                                    | Lining               | ライニング*        | 1           |                               |   |           |                |
| 8                | 52959 32860      |                                    | Lining               | ライニング*        | 1           |                               |   |           |                |
| 9                | 52931 27830      |                                    | Lining               | ライニング*        | 1           |                               |   |           |                |
| 10               | 52931 27930      |                                    | Lining               | ライニング*        | 1           |                               |   |           |                |
| 11               | 52919 23830      |                                    | Lining               | ライニング*        | 2           |                               |   |           |                |
| 12               | 52919 23930      |                                    | Lining               | ライニング*        | 4           |                               |   |           |                |
| 13               | 52919 24030      |                                    | Lining               | ライニング*        | 1           |                               |   |           |                |
| 14               | 52919 02810      |                                    | Lining               | ライニング*        | 2           |                               |   |           |                |
| 15               | 52919 24130      |                                    | Lining               | ライニング*        | 2           |                               |   |           |                |
| 16               | 52959 12450      |                                    | Lining               | ライニング*        | 1           |                               |   |           |                |
| 101              | 52977 17410      |                                    | Lining               | ライニング*        | 1           |                               |   |           |                |
| 102              | 52977 22600      |                                    | Lining               | ライニング*        | 1           |                               |   |           |                |
| 103              | 52977 17510      |                                    | Lining               | ライニング*        | 1           |                               |   |           |                |
| 104              | 52977 45500      |                                    | Lining               | ライニング*        | 1           |                               |   |           |                |
| 105              | 52977 17610      |                                    | Lining               | ライニング*        | 1           |                               |   |           |                |
| 106              | 52977 17710      |                                    | Lining               | ライニング*        | 1           |                               |   |           |                |
| 107              | 52977 17810      |                                    | Lining               | ライニング*        | 1           |                               |   |           |                |
| 108              | 52977 96900      |                                    | Lining               | ライニング*        | 1           |                               |   |           |                |
| 109              | 52977 16810      |                                    | Lining               | ライニング*        | 1           |                               |   |           |                |
| 110              | 52977 17910      |                                    | Lining               | ライニング*        | 1           |                               |   |           |                |
| 111              | 52977 79600      |                                    | Lining               | ライニング*        | 1           |                               |   |           |                |
| 112              | 52977 18010      |                                    | Lining               | ライニング*        | 1           |                               |   |           |                |
| 113              | 52977 18110      |                                    | Lining               | ライニング*        | 1           |                               |   |           |                |
| 114              | 52977 18210      |                                    | Lining               | ライニング*        | 1           |                               |   |           |                |
| 115              | 52978 61201      |                                    | Lining               | ライニング*        | 1           |                               |   |           |                |
| 116              | 52978 61300      |                                    | Lining               | ライニング*        | 1           |                               |   |           |                |
| 117              | 52978 61400      |                                    | Lining               | ライニング*        | 1           |                               |   |           |                |
| 118              | 52978 61500      |                                    | Lining               | ライニング*        | 1           |                               |   |           |                |
| 119              | 52978 61600      |                                    | Lining               | ライニング*        | 1           |                               |   |           |                |
| 120              | 52978 61700      |                                    | Lining               | ライニング*        | 1           |                               |   |           |                |

2018年 8月 22日 初版

2024年 6月 18日 改訂

発行 **北越工業株式会社**

新潟本社・工場  
新潟県燕市下粟生津3074

(無断複写・転載を禁ず)

**HOKUETSU INDUSTRIES CO., LTD.**

8TH FLOOR SHINJUKU SAN-EI BLDG,  
22-2 NISHI-SHINJUKU 1-CHOME, SHINJUKU-KU  
TOKYO 160-0023 JAPAN  
TEL:81-3-3348-7281  
FAX:81-3-3348-7289  
URL:<http://www.airman.co.jp>

Copyright (C) 2018 HOKUETSU INDUSTRIES CO., LTD. All Rights Reserved.

2406-07  
CAT. NO. 39540 64000

